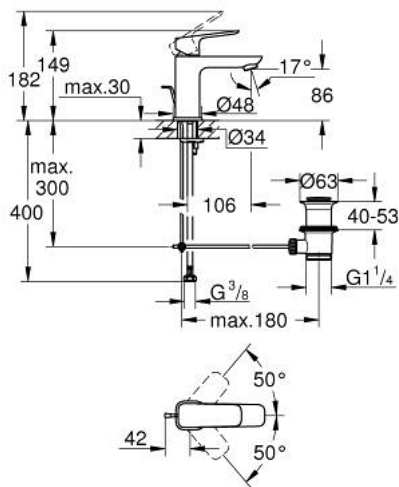


10 169 400 00 **GROHE CUBE BASIN MIXER 1/2"**
S-SIZE

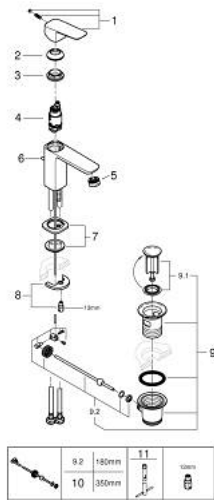


PRODUCT DESCRIPTION

- Tyc: Chrome
- single hole installation
- metal lever
- GROHE SilkMove 28 mm ceramic cartridge
- adjustable flow rate limiter
- with temperature limiter
- GROHE EcoJoy - Less water, perfect flow
- maximum flow rate (at 3 bar): 5 l/min
- GROHE FastFixation installation system
- pop-up waste set 1 1/4"
- flexible connection hoses



10 169 400 00 **GROHE CUBEO BASIN MIXER 1/2"**
S-SIZE



SPARE PARTS

- 1: Cubeo Lever (Spare part-nr. 1060130000)
 - 2: Cap (Spare part-nr. 46581000)
 - 3: Fitting ring (Spare part-nr. 07419000)
 - 4: Cartridge (Spare part-nr. 46580000)
 - 5: Mousseur (Spare part-nr. 48159000)
 - 6: Lift rod (Spare part-nr. 65936PD0)
 - 7: Cubeo Rosette (Spare part-nr. 1060150000)
 - 8: Shank mounting kit (Spare part-nr. 46249000)
 - 9: Waste set 1 1/4" (Spare part-nr. 28910000)
 - 9.1: Plug (Spare part-nr. 07182000)
 - 9.2: Eccentric rod (Spare part-nr. 07052000)
 - 10: Eccentric rod (Spare part-nr. 07341000)*
 - 11: Mounting wrench (Spare part-nr. 19017000)*
- * Optional accessories