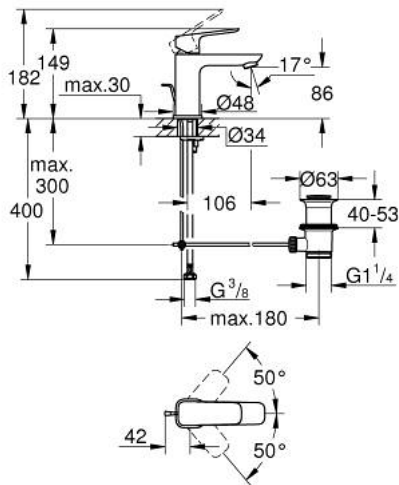


10 169 500 00 **GROHE CUBE BASIN MIXER 1/2"**  
**S-SIZE**

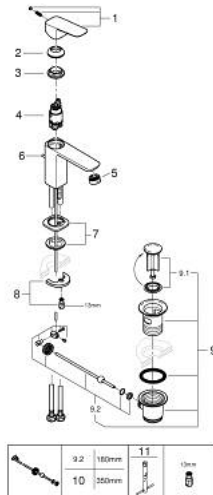


**PRODUCT DESCRIPTION**

- Tyc: Chrome
- single hole installation
- metal lever
- GROHE SilkMove 28 mm ceramic cartridge
- adjustable flow rate limiter
- with temperature limiter
- GROHE LongLife finish
- AquaCalibrator
- maximum flow rate (at 3 bar): 3.5 l/min
- FastFixation installation system
- pop-up waste set 1 1/4"
- flexible connection hoses



10 169 500 00 **GROHE CUBEO BASIN MIXER 1/2"**  
**S-SIZE**



**SPARE PARTS**

- 1: Cubeo Lever (Spare part-nr. 1060130000)
  - 2: Cap (Spare part-nr. 46581000)
  - 3: Fitting ring (Spare part-nr. 07419000)
  - 4: cartridge (Spare part-nr. 1150629990)
  - 5: Mousseur (Spare part-nr. 48159000)
  - 6: Lift rod (Spare part-nr. 65936PD0)
  - 7: Cubeo Rosette (Spare part-nr. 1060150000)
  - 8: Shank mounting kit (Spare part-nr. 46249000)
  - 9: Waste set 1 1/4" (Spare part-nr. 28910000)
  - 9.1: Plug (Spare part-nr. 07182000)
  - 9.2: Eccentric rod (Spare part-nr. 07052000)
  - 10: Eccentric rod (Spare part-nr. 07341000)\*
  - 11: Mounting wrench (Spare part-nr. 19017000)\*
- \* Optional accessories