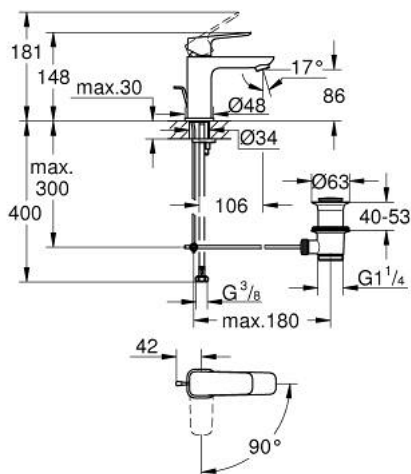


10 173 000 00 **GROHE CUBE0 BASIN MIXER 1/2"**
S-SIZE

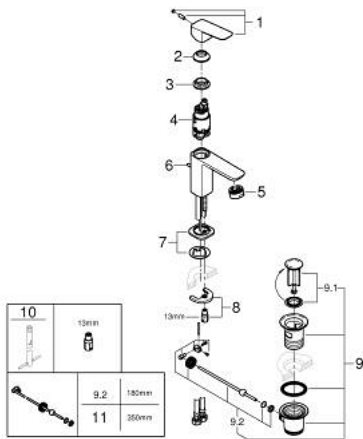


PRODUCT DESCRIPTION

- Tyc: Chrome
- single hole installation
- metal lever
- GROHE SilkMove 28 mm ceramic cartridge
- OpenCold - cold water flow in mid-lever position
- adjustable flow rate limiter
- with temperature limiter
- GROHE LongLife finish
- AquaCalibrator
- maximum flow rate (at 3 bar): 5 l/min
- FastFixation installation system
- pop-up waste set 1 1/4"
- flexible connection hoses



10 173 000 00 **GROHE CUBEO BASIN MIXER 1/2"**
S-SIZE



SPARE PARTS

- 1: Cubeo Lever (Spare part-nr. 1060180000)
- 2: Cap (Spare part-nr. 46581000)
- 3: Fitting ring (Spare part-nr. 07419000)
- 4: Cubeo Catridge (Spare part-nr. 1060179990)
- 5: Mousseur (Spare part-nr. 48159000)
- 6: Lift rod (Spare part-nr. 65936PD0)
- 7: Cubeo Rosette (Spare part-nr. 1060150000)
- 8: Shank mounting kit (Spare part-nr. 46249000)
- 9: Waste set 1 1/4" (Spare part-nr. 28910000)
- 9.1: Plug (Spare part-nr. 07182000)
- 9.2: Eccentric rod (Spare part-nr. 07052000)
- 10: Mounting wrench (Spare part-nr. 19017000)*
- 11: Eccentric rod (Spare part-nr. 07341000)*

* Optional accessories