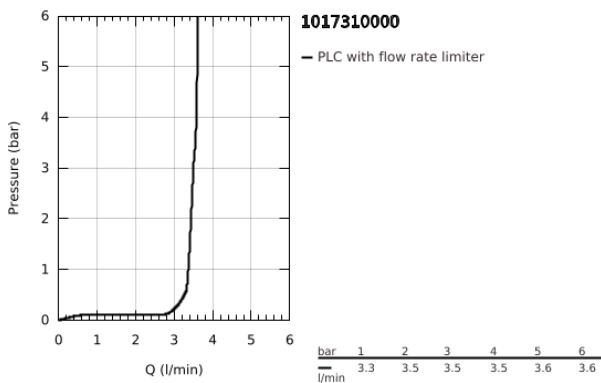
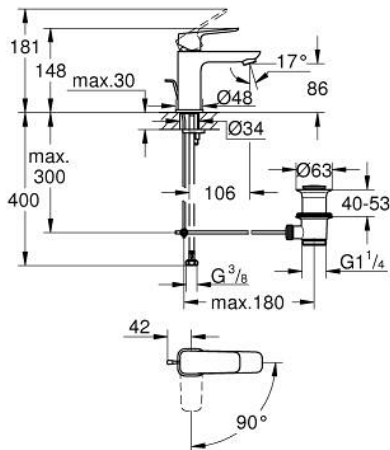


10 173 100 00 **GROHE CUBE0 BASIN MIXER 1/2"**
S-SIZE

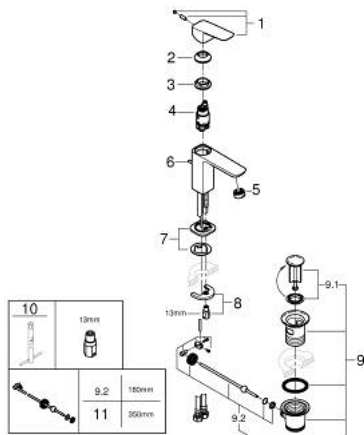


PRODUCT DESCRIPTION

- Colour: chrome
- single hole installation
- metal lever
- GROHE SilkMove 28 mm ceramic cartridge
- OpenCold - cold water flow in mid-lever position
- adjustable flow rate limiter
- with temperature limiter
- GROHE LongLife finish
- AquaCalibrator
- maximum flow rate (at 3 bar): 3.5 l/min
- FastFixation installation system
- pop-up waste set 1 1/4"
- flexible connection hoses



10 173 100 00 **GROHE CUBEO BASIN MIXER 1/2"**
S-SIZE



SPARE PARTS

- 1: Cubeo Lever (Spare part-nr. 1060180000)
 - 2: Cap (Spare part-nr. 46581000)
 - 3: retaining ring (Spare part-nr. 07419000)
 - 4: cartridge (Spare part-nr. 1150639990)
 - 5: Mousseur (Spare part-nr. 42604000)
 - 6: Lift rod (Spare part-nr. 65936PD0)
 - 7: Cubeo Rosette (Spare part-nr. 1060150000)
 - 8: Shank mounting kit (Spare part-nr. 46249000)
 - 9: Waste set 1 1/4" (Spare part-nr. 28910000)
 - 9.1: Plug (Spare part-nr. 07182000)
 - 9.2: Eccentric rod (Spare part-nr. 07052000)
 - 10: Mounting wrench (Spare part-nr. 19017000)*
 - 11: Eccentric rod (Spare part-nr. 07341000)*
- * Optional accessories