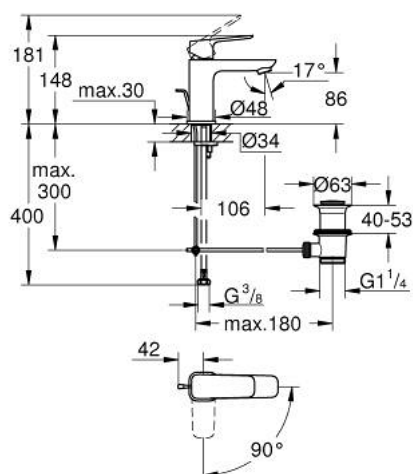


## 10 173 124 30 GROHE CUBE BASIN MIXER 1/2" S-SIZE

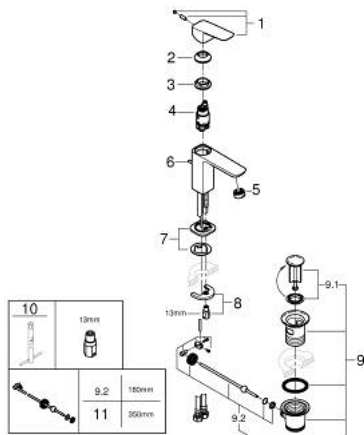


### PRODUCT DESCRIPTION

- Tyc: matte black
- single hole installation
- metal lever
- GROHE SilkMove 28 mm ceramic cartridge
- OpenCold - cold water flow in mid-lever position
- adjustable flow rate limiter
- with temperature limiter
- Low Flow Rate for exceptional efficiency
- maximum flow rate (at 3 bar): 3.5 l/min
- GROHE FastFixation installation system
- pop-up waste set 1 1/4"
- flexible connection hoses



10 173 124 30 **GROHE CUBEO BASIN MIXER 1/2"**  
**S-SIZE**



**SPARE PARTS**

- 1: lever (Spare part-nr. 1060182430)
  - 2: Cap (Spare part-nr. 465812430)
  - 3: Fitting ring (Spare part-nr. 07419000)
  - 4: cartridge (Spare part-nr. 1150639990)
  - 5: flow control (Spare part-nr. 426042430)
  - 6: lift rod (Spare part-nr. 659362430)
  - 7: Cubeo Rosette (Spare part-nr. 1060152430)
  - 8: Shank mounting kit (Spare part-nr. 46249000)
  - 9: Waste set 1 1/4" (Spare part-nr. 289102430)
  - 9.1: Plug (Spare part-nr. 071822430)
  - 9.2: Eccentric rod (Spare part-nr. 07052000)
  - 10: Mounting wrench (Spare part-nr. 19017000)\*
  - 11: Eccentric rod (Spare part-nr. 07341000)\*
- \* Optional accessories