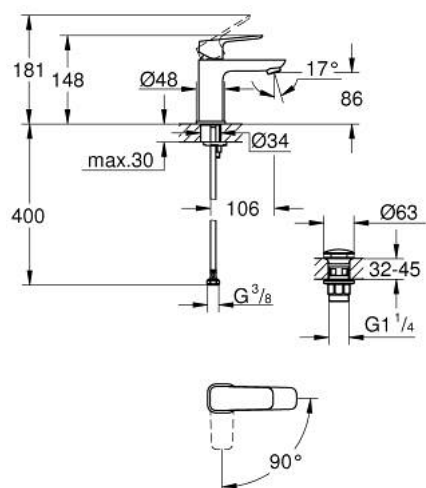


10 173 224 30 **GROHE CUBE BASIN MIXER 1/2"**
S-SIZE

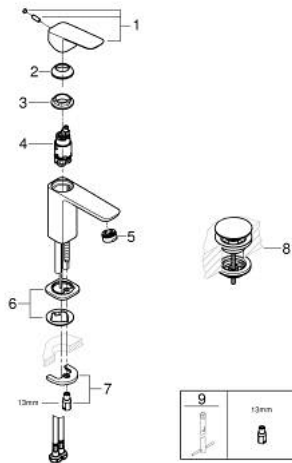


PRODUCT DESCRIPTION

- Tyc: matte black
- single hole installation
- metal lever
- GROHE SilkMove 28 mm ceramic cartridge
- OpenCold - cold water flow in mid-lever position
- adjustable flow rate limiter
- with temperature limiter
- AquaCalibrator
- maximum flow rate (at 3 bar): 5 l/min
- FastFixation installation system
- smooth body with push-open waste set 1 1/4"
- flexible connection hoses



10 173 224 30 **GROHE CUBE0 BASIN MIXER 1/2"**
S-SIZE



SPARE PARTS

- 1: lever (Spare part-nr. 1060182430)
- 2: Cap (Spare part-nr. 465812430)
- 3: Fitting ring (Spare part-nr. 07419000)
- 4: Cubeo Cartridge (Spare part-nr. 1060179990)
- 5: Mousseur (Spare part-nr. 481592430)
- 6: Cubeo Rosette (Spare part-nr. 1060152430)
- 7: Shank mounting kit (Spare part-nr. 46249000)
- 8: Waste set with push-open plug (Spare part-nr. 658072430)
- 9: Mounting wrench (Spare part-nr. 19017000)*

* Optional accessories