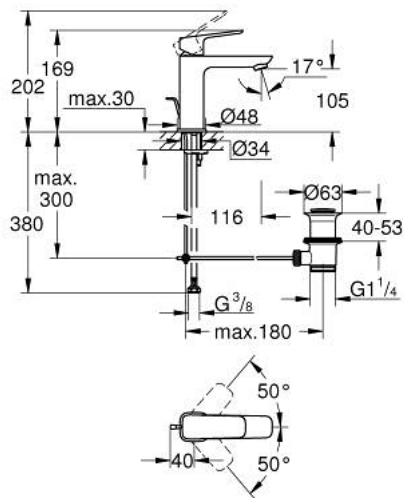


10 174 924 30 **GROHE CUBE0 BASIN MIXER 1/2"**
M-SIZE

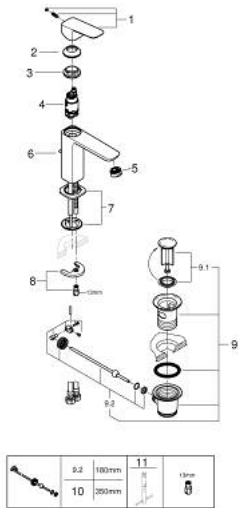


PRODUCT DESCRIPTION

- Tyc: matte black
- single hole installation
- metal lever
- GROHE SilkMove 28 mm ceramic cartridge
- adjustable flow rate limiter
- with temperature limiter
- AquaCalibrator
- maximum flow rate (at 3 bar): 5 l/min
- FastFixation installation system
- pop-up waste set 1 1/4"
- flexible connection hoses



10 174 924 30 **GROHE CUBEO BASIN MIXER 1/2"**
M-SIZE



SPARE PARTS

- 1: Cubeo Lever (Spare part-nr. 1060132430)
 - 2: Cap (Spare part-nr. 465812430)
 - 3: Fitting ring (Spare part-nr. 07419000)
 - 4: Cartridge (Spare part-nr. 46580000)
 - 5: Mousseur (Spare part-nr. 481592430)
 - 6: lift rod (Spare part-nr. 659362430)
 - 7: Cubeo Rosette (Spare part-nr. 1060152430)
 - 8: Shank mounting kit (Spare part-nr. 46249000)
 - 9: Waste set 1 1/4" (Spare part-nr. 289102430)
 - 9.1: Plug (Spare part-nr. 071822430)
 - 9.2: Eccentric rod (Spare part-nr. 07052000)
 - 10: Eccentric rod (Spare part-nr. 07341000)*
 - 11: Mounting wrench (Spare part-nr. 19017000)*
- * Optional accessories