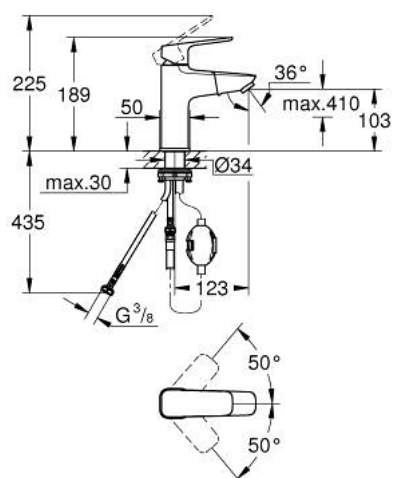


10 175 024 30 **GROHE CUBE BASIN MIXER 1/2"**
M-SIZE

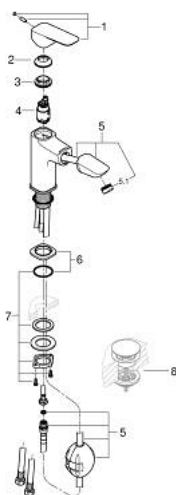


PRODUCT DESCRIPTION

- Tyc: matte black
- pull out spout
- single hole installation
- metal lever
- GROHE SilkMove 28 mm ceramic cartridge
- adjustable flow rate limiter
- with temperature limiter
- maximum flow rate (at 3 bar): 5 l/min
- rapid installation system
- MagneticDocking guarantees easy retraction and smooth docking of the spray head back to the starting position
- smooth body
- flexible connection hoses



10 175 024 30 **GROHE CUBE BASIN MIXER 1/2"**
M-SIZE



SPARE PARTS

- 1: lever (Spare part-nr. 1106832430)
 - 2: cap (Spare part-nr. 1106842430)
 - 3: Fitting ring (Spare part-nr. 46715000)
 - 4: Cartridge (Spare part-nr. 46963000)
 - 5: pull out spray (Spare part-nr. 1106852430)
 - 5.1: flow control (Spare part-nr. 1106862430)
 - 6: escutcheon (Spare part-nr. 1106872430)
 - 7: Shank fastening assembly (Spare part-nr. 48384000)
 - 8: Waste set with push-open plug (Spare part-nr. 658072430)*
- * Optional accessories