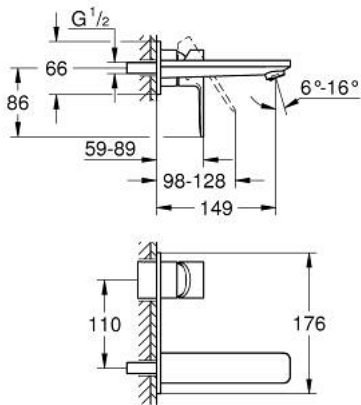


19 409 DC1 LINEARE TWO-HOLE BASIN MIXER M-SIZE



PRODUCT DESCRIPTION

- Tyc: supersteel
- wall mounted
- trim set for use with rough-in set 23 571 000 / 32 635 000
- without concealed body
- metal escutcheon
- metal lever
- GROHE LongLife finish
- GROHE EcoJoy - Less water, perfect flow
- maximum flow rate (at 3 bar): 5 l/min
- GROHE AquaGuide adjustable mousseur
- center distance 110 mm
- projection 149 mm
- min. recommended pressure 1.0 bar

19 409 DC1 LINEARE TWO-HOLE BASIN MIXER M-SIZE

SPARE PARTS

- 1: Lever (Spare part-nr. 46982DC0)
- 2: Flow straightener (Spare part-nr. 46837DC0)
- 3: Extension (Spare part-nr. 46943000)*

* Optional accessories

