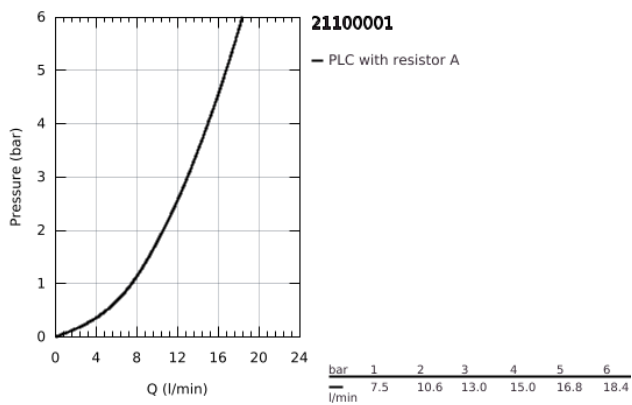
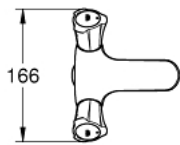
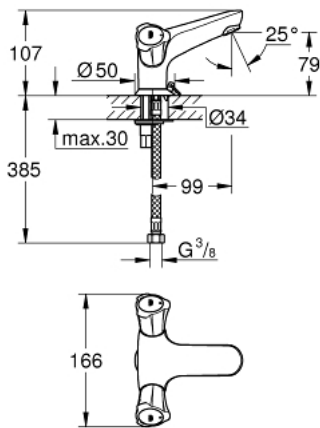


## 21 100 001 COSTA L ONE-HOLE BASIN MIXER, 1/2"

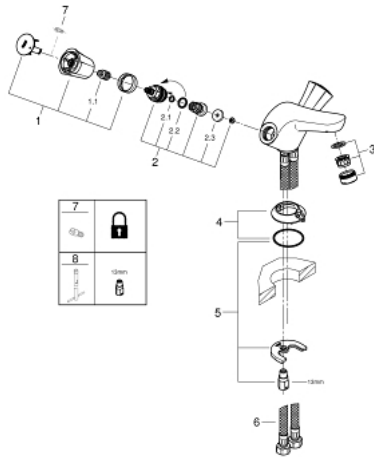


### PRODUCT DESCRIPTION

- Colour: chrome
- metal handles
- heat insulated
- screwable
- GROHE Long-Life headpart
- cast spout with mousseur
- chain ring
- flexible connection hoses
- GROHE LongLife finish



21 100 001 **COSTA L ONE-HOLE BASIN MIXER, 1/2"**



**SPARE PARTS**

- 1: Handle (Spare part-nr. 45994000)
  - 1.1: Snap insert (Spare part-nr. 0538600M)
  - 2: Headpart 1/2" (Spare part-nr. 07146000)
  - 2.1: O-Ring Ø6 x Ø2 (Spare part-nr. 0128300M)
  - 2.2: O-Ring Ø18,2 x Ø1,7 (Spare part-nr. 0392400M)
  - 2.3: Seal (Spare part-nr. 0529100M)
  - 3: Mousseur (Spare part-nr. 13929000)
  - 4: Escutcheon (Spare part-nr. 48005000)
  - 5: Shank mounting kit (Spare part-nr. 46249000)
  - 6: Connection hose (Spare part-nr. 46255000)
  - 7: Screw for Costa/Avina products (Spare part-nr. 48013000)\*
  - 8: Mounting wrench (Spare part-nr. 19017000)\*
- \* Optional accessories