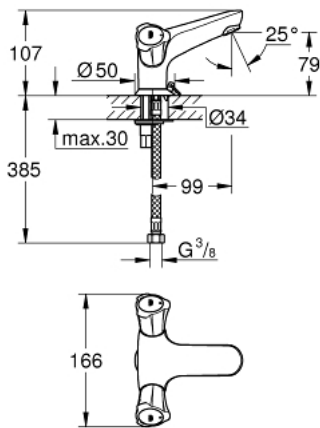


21 100 001 **COSTA L ONE-HOLE BASIN MIXER, 1/2"**

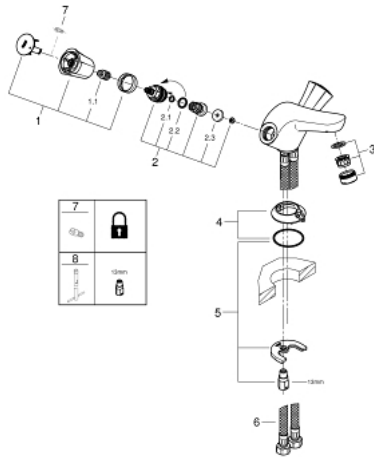


PRODUCT DESCRIPTION

- Tyc: Chrome
- metal handles
- heat insulated
- screwable
- GROHE Long-Life headpart
- cast spout with mousseur
- chain ring
- flexible connection hoses
- GROHE LongLife finish



21 100 001 **COSTA L ONE-HOLE BASIN MIXER, 1/2"**



SPARE PARTS

- 1: Handle (Spare part-nr. 45994000)
 - 1.1: Snap insert (Spare part-nr. 0538600M)
 - 2: Headpart 1/2" (Spare part-nr. 07146000)
 - 2.1: Sealing washer Ø 6 x Ø 2 (Spare part-nr. 0128300M)
 - 2.2: O-ring Ø 18.2 x Ø 1.7 (Spare part-nr. 0392400M)
 - 2.3: Seal (Spare part-nr. 0529100M)
 - 3: Mousseur (Spare part-nr. 13929000)
 - 4: Escutcheon (Spare part-nr. 48005000)
 - 5: Shank mounting kit (Spare part-nr. 46249000)
 - 6: Connection hose (Spare part-nr. 46255000)
 - 7: Screw for Costa/Avina products (Spare part-nr. 48013000)*
 - 8: Mounting wrench (Spare part-nr. 19017000)*
- * Optional accessories