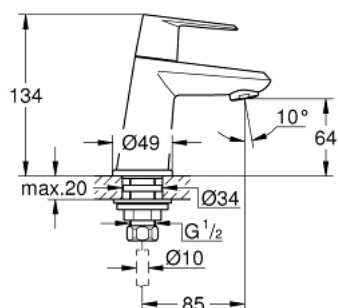


23 051 002 EURODISC COSMOPOLITAN PILLAR TAP XS-SIZE

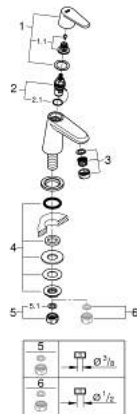


PRODUCT DESCRIPTION

- Tyc: Chrome
- single hole installation
- metal lever
- ceramic headpart 1/2", 90°
- GROHE LongLife finish
- GROHE EcoJoy - Less water, perfect flow
- maximum flow rate (at 3 bar): 5 l/min
- SpeedClean mousseur
- union nut 1/2" x 10.5 mm
- min. recommended pressure 1.0 bar
- noise classification I in accordance with DIN 4109



23 051 002 EURODISC COSMOPOLITAN PILLAR TAP XS-SIZE



SPARE PARTS

- 1: Handle (Spare part-nr. 48060000)
 - 1.1: Replacement handle connection kit (Spare part-nr. 45186000)
 - 1.1.1: O-ring $\varnothing 18.2 \times \varnothing 1.7$ (Spare part-nr. 0392400M)
 - 2: Ceramic headpart 1/2" (Spare part-nr. 45882000)
 - 2.1: O-ring $\varnothing 18.2 \times \varnothing 1.7$ (Spare part-nr. 0392400M)
 - 3: Mousseur (Spare part-nr. 48159000)
 - 4: Shank fastening assembly 1/2" (Spare part-nr. 45000000)
 - 5: Coupling nut 1/2" (Spare part-nr. 1290100M)
 - 5.1: Fibre seal $\varnothing 18,5 \times \varnothing 12 \times 2$ (Spare part-nr. 0138900M)
 - 6: Coupling nut 1/2" x 14.5 mm (Spare part-nr. 1290200M)*
- * Optional accessories