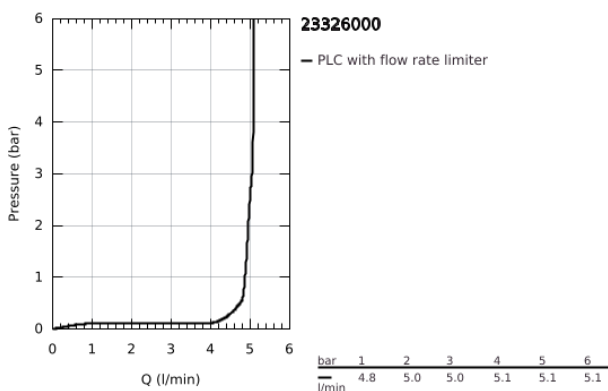
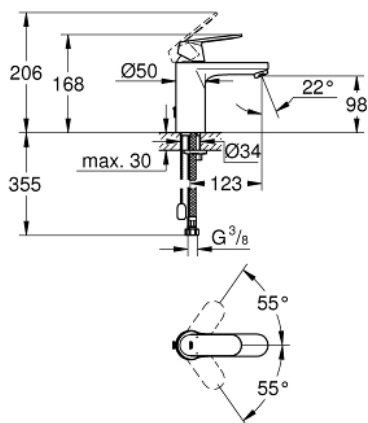


23 326 000 **EUROSMART COSMOPOLITAN BASIN MIXER 1/2"**
M-SIZE

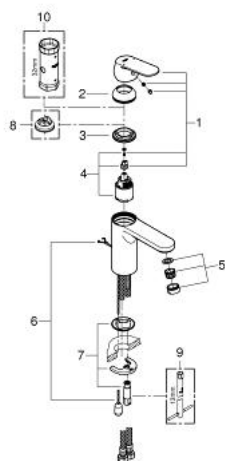


PRODUCT DESCRIPTION

- Colour: chrome
- single hole installation
- metal lever
- GROHE SilkMove 35 mm ceramic cartridge
- GROHE LongLife finish
- GROHE EcoJoy - less water, perfect flow
- maximum flow rate (at 3 bar): 5 l/min
- GROHE FastFixation rapid installation system
- retractable chain
- flexible connection hoses
- optional temperature limiter ref. no. 46 375



23 326 000 **EUROSMART COSMOPOLITAN BASIN MIXER 1/2"**
M-SIZE



SPARE PARTS

- 1: Lever (Spare part-nr. 46681000)
- 2: Cap (Spare part-nr. 46492000)
- 3: Screw coupling (Spare part-nr. 46460000)
- 4: Cartridge (Spare part-nr. 46374000)
- 5: Mousseur (Spare part-nr. 48159000)
- 6: Chain support (Spare part-nr. 06815000)
- 7: Shank mounting kit (Spare part-nr. 46671000)
- 8: Temperature limiter (Spare part-nr. 46375000)*
- 9: Mounting wrench (Spare part-nr. 19017000)*
- 10: Socket spanner (Spare part-nr. 19332000)*

* Optional accessories