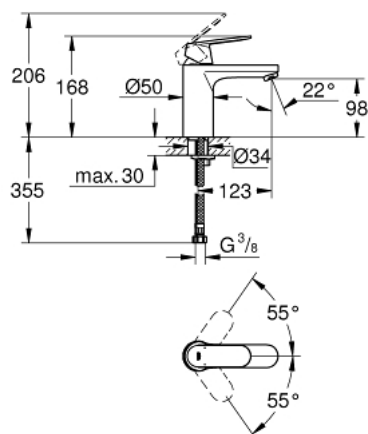


23 327 000 **EUROSMART COSMOPOLITAN BASIN MIXER 1/2"**  
**M-SIZE**

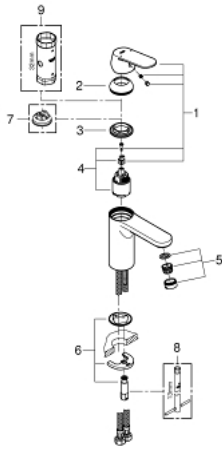


**PRODUCT DESCRIPTION**

- Tyc: Chrome
- single hole installation
- metal lever
- GROHE SilkMove 35 mm ceramic cartridge
- adjustable flow rate limiter
- GROHE LongLife finish
- GROHE EcoJoy - Less water, perfect flow
- maximum flow rate (at 3 bar): 5 l/min
- GROHE FastFixation rapid installation system
- smooth body
- flexible connection hoses
- min. recommended pressure 1.0 bar
- optional temperature limiter ref. no. 46 375



23 327 000 **EUROSMART COSMOPOLITAN BASIN MIXER 1/2"**  
**M-SIZE**



**SPARE PARTS**

- 1: Lever (Spare part-nr. 46681000)
  - 2: Cap (Spare part-nr. 46492000)
  - 3: Screw coupling (Spare part-nr. 46460000)
  - 4: Cartridge (Spare part-nr. 46374000)
  - 5: Mousseur (Spare part-nr. 48159000)
  - 6: Shank mounting kit (Spare part-nr. 46671000)
  - 7: Temperature limiter (Spare part-nr. 46375000)\*
  - 8: Mounting wrench (Spare part-nr. 19017000)\*
  - 9: Socket spanner (Spare part-nr. 19332000)\*
- \* Optional accessories