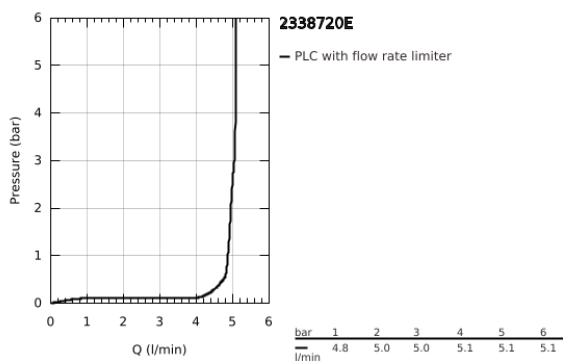
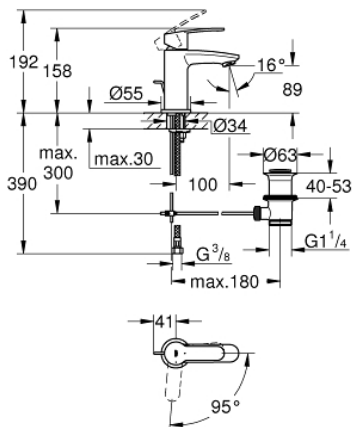


23 387 20E **EUROSTYLE COSMOPOLITAN BASIN MIXER 1/2"**
S-SIZE

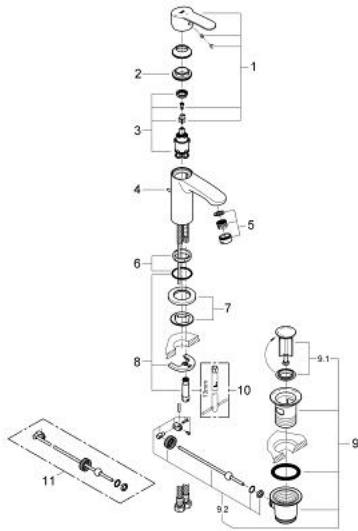


PRODUCT DESCRIPTION

- Colour: chrome
- single hole installation
- metal lever
- GROHE SilkMove 28 mm ceramic cartridge
- OpenCold - cold water flow in mid-lever position
- with temperature limiter
- GROHE LongLife finish
- GROHE EcoJoy - less water, perfect flow
- maximum flow rate (at 3 bar): 5 l/min
- GROHE FastFixation rapid installation system
- pop-up waste set 1 1/4"
- flexible connection hoses
- min. recommended pressure 1.0 bar



23 387 20E **EUROSTYLE COSMOPOLITAN BASIN MIXER 1/2"**
S-SIZE



SPARE PARTS

- 1: Lever (Spare part-nr. 46868000)
- 2: retaining ring (Spare part-nr. 46715000)
- 3: Cartridge (Spare part-nr. 46580000)
- 4: Pop-up rod (Spare part-nr. 46739000)
- 5: Laminar flow straightener (Spare part-nr. 64450000)
- 6: Center ring (Spare part-nr. 46719000)
- 7: Base plate (Spare part-nr. 48165000)
- 8: Shank mounting kit (Spare part-nr. 46671000)
- 9: Waste set 1 1/4" (Spare part-nr. 28910000)
- 9.1: Plug (Spare part-nr. 07182000)
- 9.2: Eccentric rod (Spare part-nr. 07052000)
- 10: Mounting wrench (Spare part-nr. 19017000)*
- 11: Eccentric rod (Spare part-nr. 07341000)*

* Optional accessories