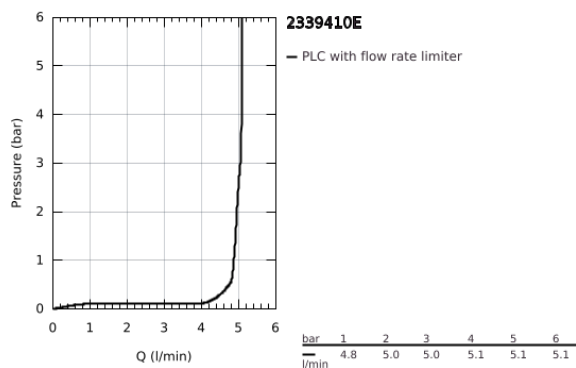
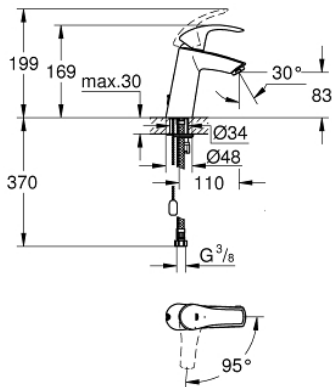


23 394 10E **EUROSMART BASIN MIXER 1/2"**  
**M-SIZE**

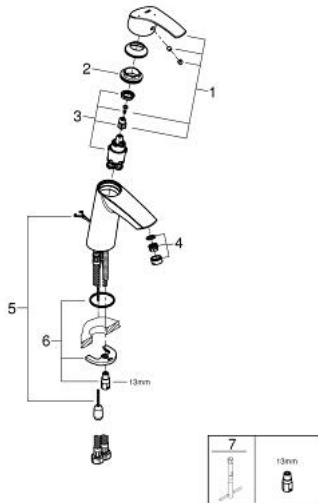


**PRODUCT DESCRIPTION**

- Colour: chrome
- single hole installation
- metal lever
- GROHE SilkMove 28 mm ceramic cartridge
- EcoMode - cold water flow in mid-lever position saves energy
- with temperature limiter
- GROHE LongLife finish
- GROHE EcoJoy - less water, perfect flow
- maximum flow rate (at 3 bar): 5 l/min
- GROHE FastFixation rapid installation system
- retractable chain
- flexible connection hoses



23 394 10E **EUROSMART BASIN MIXER 1/2"**  
**M-SIZE**



**SPARE PARTS**

- 1: Lever (Spare part-nr. 46865000)
- 2: retaining ring (Spare part-nr. 46715000)
- 3: Cartridge (Spare part-nr. 46580000)
- 4: Mousseur (Spare part-nr. 48159000)
- 5: Chain support (Spare part-nr. 06815000)
- 6: Shank mounting kit (Spare part-nr. 46249000)
- 7: Mounting wrench (Spare part-nr. 19017000)\*

\* Optional accessories