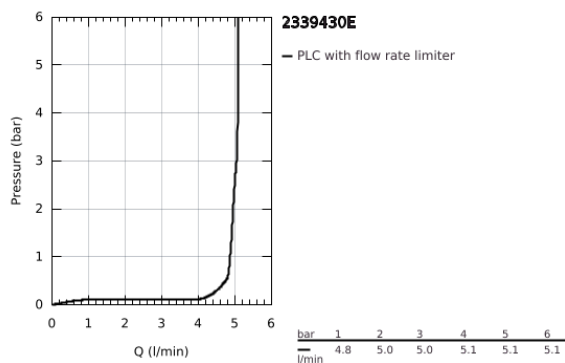
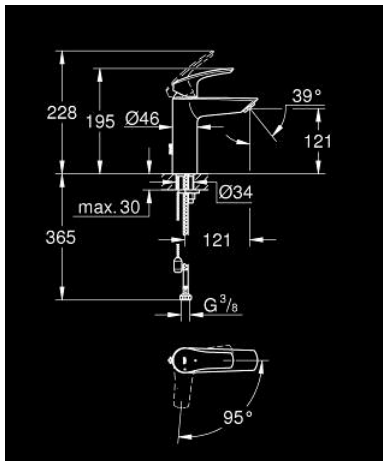


23 394 30E **EUROSMART BASIN MIXER 1/2"**
M-SIZE

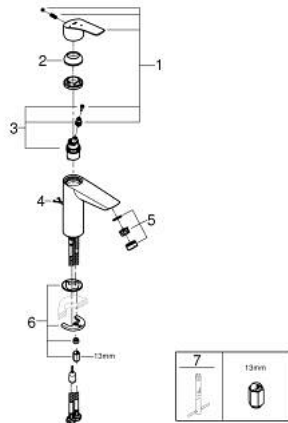


PRODUCT DESCRIPTION

- Colour: chrome
- single hole installation
- metal lever
- GROHE SilkMove 28 mm ceramic cartridge
- OpenCold - cold water flow in mid-lever position
- adjustable flow rate limiter
- with temperature limiter
- GROHE LongLife finish
- GROHE EcoJoy - less water, perfect flow
- maximum flow rate (at 3 bar): 5 l/min
- Protected Water Ways no contact of water with lead or nickel inside the tap
- GROHE FastFixation rapid installation system
- retractable chain
- flexible connection hoses
- professional exclusive



23 394 30E EUROSMART BASIN MIXER 1/2" M-SIZE



SPARE PARTS

- 1: Lever (Spare part-nr. 48551000)
- 2: Cap (Spare part-nr. 46116000)
- 3: Cartridge (Spare part-nr. 48518000)
- 4: Chain support (Spare part-nr. 06815000)
- 5: Mousseur (Spare part-nr. 48159000)
- 6: Shank mounting kit (Spare part-nr. 46645000)
- 7: Mounting wrench (Spare part-nr. 19017000)*

* Optional accessories