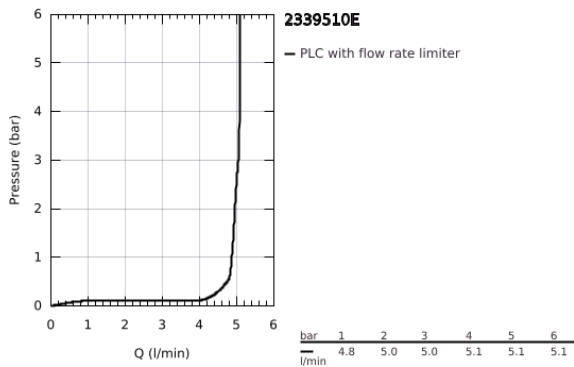
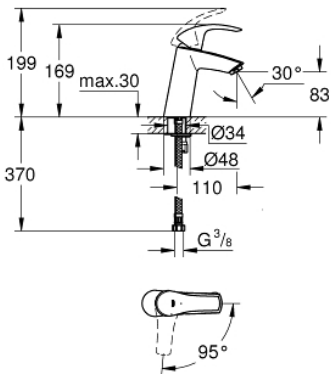


23 395 10E **EUROSMART BASIN MIXER 1/2"**
M-SIZE

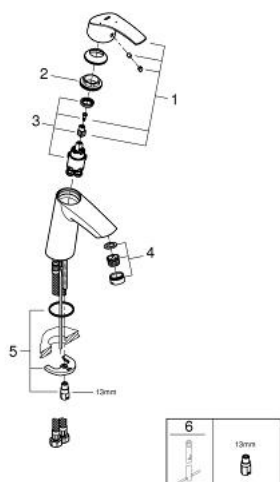


PRODUCT DESCRIPTION

- Colour: chrome
- single hole installation
- metal lever
- GROHE SilkMove 28 mm ceramic cartridge
- OpenCold - cold water flow in mid-lever position
- with temperature limiter
- GROHE LongLife finish
- GROHE EcoJoy - less water, perfect flow
- maximum flow rate (at 3 bar): 5 l/min
- GROHE FastFixation rapid installation system
- smooth body
- flexible connection hoses



23 395 10E **EUROSMART BASIN MIXER 1/2"**
M-SIZE



SPARE PARTS

- 1: Lever (Spare part-nr. 46865000)
 - 2: retaining ring (Spare part-nr. 46715000)
 - 3: Cartridge (Spare part-nr. 46580000)
 - 4: Mousseur (Spare part-nr. 48159000)
 - 5: Shank mounting kit (Spare part-nr. 46249000)
 - 6: Mounting wrench (Spare part-nr. 19017000)*
- * Optional accessories