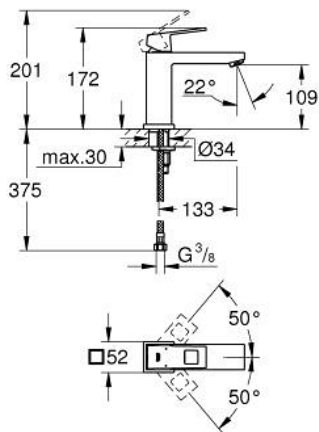
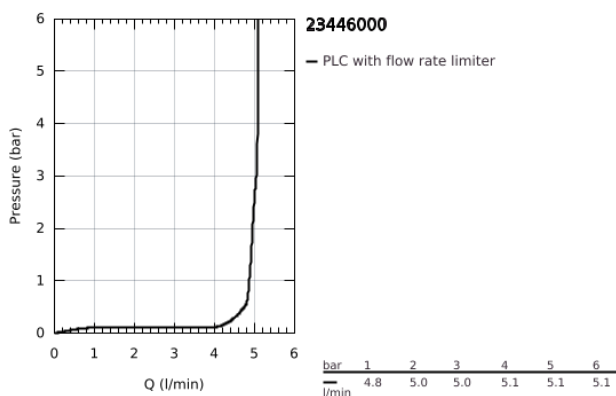


23 446 000 **EUROCUBE BASIN MIXER 1/2"**  
**M-SIZE**

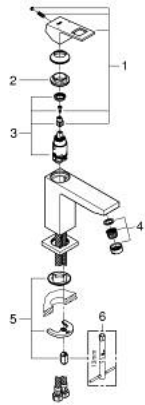


**PRODUCT DESCRIPTION**

- Colour: chrome
- single hole installation
- metal lever
- GROHE SilkMove 28 mm ceramic cartridge
- with temperature limiter
- GROHE LongLife finish
- GROHE EcoJoy - less water, perfect flow
- maximum flow rate (at 3 bar): 5 l/min
- SpeedClean mousseur
- GROHE FastFixation Plus installation system
- smooth body
- flexible connection hoses
- min. recommended pressure 1.0 bar



23 446 000 **EUROCUBE BASIN MIXER 1/2"**  
**M-SIZE**



**SPARE PARTS**

- 1: Lever (Spare part-nr. 46786000)
  - 2: retaining ring (Spare part-nr. 46715000)
  - 3: Cartridge (Spare part-nr. 46580000)
  - 4: Mousseur (Spare part-nr. 48159000)
  - 5: Shank mounting kit (Spare part-nr. 46645000)
  - 6: Mounting wrench (Spare part-nr. 19017000)\*
- \* Optional accessories