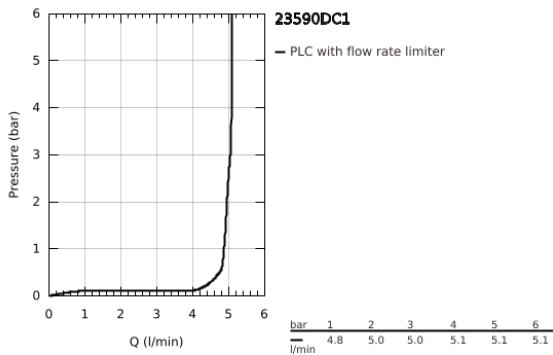
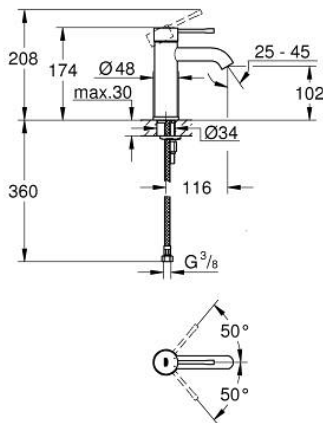


23 590 DC1 **ESSENCE BASIN MIXER 1/2"**
S-SIZE



PRODUCT DESCRIPTION

- Colour: supersteel
- single hole installation
- metal lever
- GROHE SilkMove 28 mm ceramic cartridge
- with temperature limiter
- GROHE LongLife finish
- GROHE EcoJoy - less water, perfect flow
- maximum flow rate (at 3 bar): 5.7 l/min
- GROHE AquaGuide adjustable mousseur
- GROHE FastFixation Plus installation system
- smooth body
- flexible connection hoses



23 590 DC1 ESSENCE BASIN MIXER 1/2" S-SIZE



SPARE PARTS

- 1: Lever (Spare part-nr. 46917DC0)
 - 2: retaining ring (Spare part-nr. 46715000)
 - 3: Cartridge (Spare part-nr. 46580000)
 - 4: Mousseur (Spare part-nr. 48270000)
 - 5: Escutcheon (Spare part-nr. 48603DC0)
 - 6: Shank mounting kit (Spare part-nr. 46645000)
 - 7: Mounting wrench (Spare part-nr. 19017000)*
 - 8: Waste set with push-open plug (Spare part-nr. 65807DC0)*
- * Optional accessories