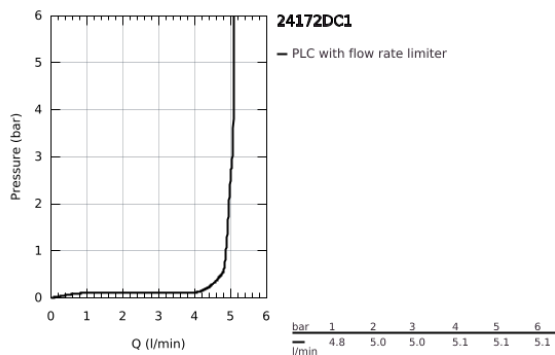
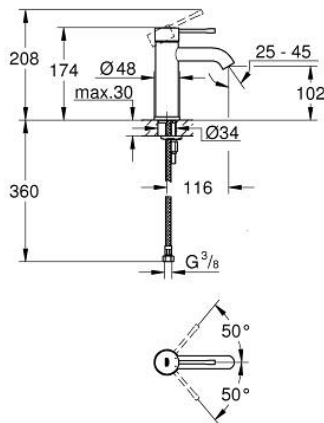


24 172 DC1 **ESSENCE BASIN MIXER 1/2"**  
**S-SIZE**

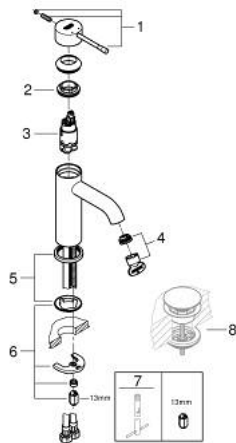


**PRODUCT DESCRIPTION**

- Colour: supersteel
- single hole installation
- metal lever
- GROHE SilkMove 28 mm ceramic cartridge
- with temperature limiter
- GROHE LongLife finish
- GROHE EcoJoy - less water, perfect flow
- maximum flow rate (at 3 bar): 5 l/min
- GROHE AquaGuide adjustable mousseur
- GROHE FastFixation Plus installation system
- smooth body
- flexible connection hoses



24 172 DC1 **ESSENCE BASIN MIXER 1/2"**  
**S-SIZE**



**SPARE PARTS**

- 1: Lever (Spare part-nr. 46917DC0)
  - 2: retaining ring (Spare part-nr. 46715000)
  - 3: Cartridge (Spare part-nr. 46580000)
  - 4: Mousseur (Spare part-nr. 48270000)
  - 5: Escutcheon (Spare part-nr. 48603DC0)
  - 6: Shank mounting kit (Spare part-nr. 46645000)
  - 7: Mounting wrench (Spare part-nr. 19017000)\*
  - 8: Waste set with push-open plug (Spare part-nr. 65807DC0)\*
- \* Optional accessories