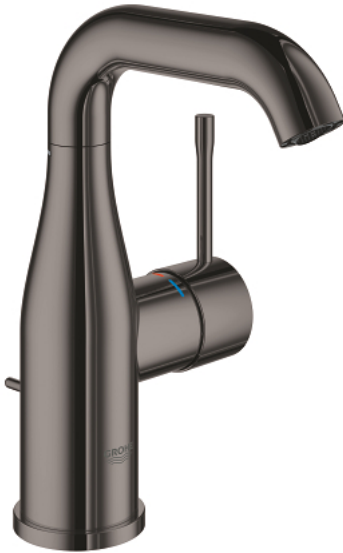
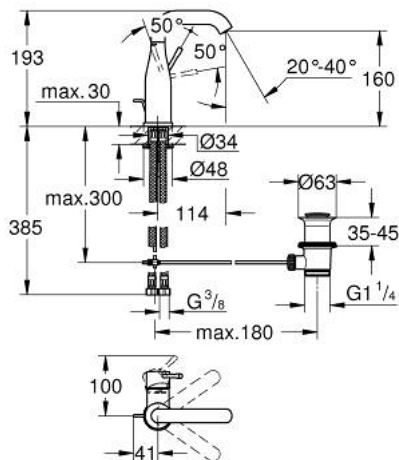


24 173 A01 ESSENCE BASIN MIXER 1/2" M-SIZE



PRODUCT DESCRIPTION

- Tyc: hard graphite
- single hole installation
- metal lever
- GROHE SilkMove 28 mm ceramic cartridge
- with temperature limiter
- GROHE LongLife finish
- GROHE EcoJoy - Less water, perfect flow
- maximum flow rate (at 3 bar): 5 l/min
- GROHE AquaGuide adjustable mousseur
- GROHE FastFixation Plus installation system
- swivel spout with mousseur and stop limiter
- adjustable swivel area 0° / 150° / 360°
- pop-up waste set 1 1/4"
- flexible connection hoses
- min. recommended pressure 1.0 bar
- professional exclusive



24 173 A01 **ESSENCE BASIN MIXER 1/2"**
M-SIZE



SPARE PARTS

- 1: Lever (Spare part-nr. 46919A00)
 - 2: Cartridge (Spare part-nr. 46580000)
 - 3: screw ring (Spare part-nr. 48591000)
 - 4: Tubular spout (Spare part-nr. 13373A00)
 - 4.1: Mousseur (Spare part-nr. 48270000)
 - 4.2: Sealing washer (Spare part-nr. 0128500M)
 - 4.3: Safety ring (Spare part-nr. 4826600M)
 - 5: Pop-up rod (Spare part-nr. 46739A00)
 - 6: Escutcheon (Spare part-nr. 48603A00)
 - 7: Shank mounting kit (Spare part-nr. 46645000)
 - 8: Waste set 1 1/4" (Spare part-nr. 28910A00)
 - 8.1: Plug (Spare part-nr. 07182A00)
 - 8.2: Eccentric rod (Spare part-nr. 07052000)
 - 9: Connection hose (Spare part-nr. 46255000)
 - 10: Mounting wrench (Spare part-nr. 19017000)*
 - 11: Eccentric rod (Spare part-nr. 07341000)*
- * Optional accessories