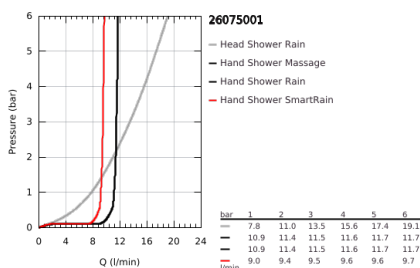
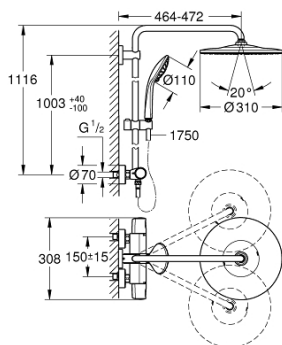


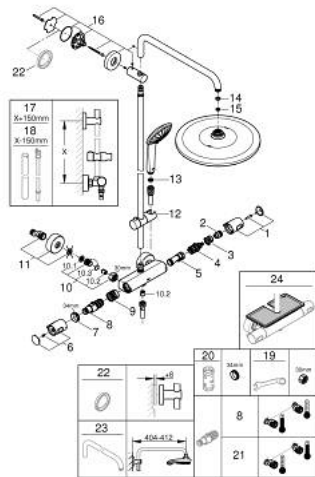
26 075 001 EUPHORIA SYSTEM 310 SHOWER SYSTEM WITH THERMOSTATIC MIXER FOR WALL MOUNTING



PRODUCT DESCRIPTION

- Colour: chrome
- consisting of:
 - horizontal swivable 450 mm shower arm
 - exposed thermostat with Aquadimmer function
 - allows change between:
 - head shower Rainshower Mono 310 (26 561)
 - spray pattern: GROHE PureRain
 - maximum flow rate (at 3 bar): 13.5 l/min
 - with ball joint
 - rotation angle $\pm 15^\circ$
 - hand shower Euphoria 110 Massage (27 221)
 - spray patterns: Rain, Massage, SmartRain
 - maximum flow rate (at 3 bar): 11.5 l/min
 - adjustable in height with gliding element
 - shower hose Silverflex 1750 mm 1/2" x 1/2" (28 388)
 - maximum flow rate system (at 3 bar): 13.5 l/min
 - minimum flow rate 5 l/min
- GROHE TurboStat - compact cartridge with wax thermoelement
- GROHE SafeStop - safety button at 38°C
- GROHE SafeStop Plus - optional temperature limiter at 43°C included
- GROHE CoolTouch - no risk of scalding
- GROHE MetalGrip ergonomically shaped metal handles
- GROHE DreamSpray - perfect spray pattern
- GROHE LongLife finish
- GROHE SprayDimmer - stepless flow rate adjustment
- Flexible Installation - 1 adjustable bracket for existing drill holes
- Inner WaterGuide - inner insulation for surface protection
- GROHE SpeedClean - effortless limescale removal
- TwistStop - to prevent hose from twisting
- suitable for instantaneous heaters from 18 kW/h
- optional upgrade: GROHE EasyReach tray (26 362), sold separately
- professional exclusive

26 075 001 EUPHORIA SYSTEM 310 SHOWER SYSTEM WITH THERMOSTATIC MIXER FOR WALL MOUNTING



SPARE PARTS

- 1: Shut-off handle (Spare part-nr. 47991000)
- 2: Stop ring (Spare part-nr. 47986000)
- 3: Stop ring (Spare part-nr. 47965000)
- 4: Aquadimmer (Spare part-nr. 47364000)
- 5: Water flow (Spare part-nr. 47887000)
- 6: Handle (Spare part-nr. 47992000)
- 7: retaining ring (Spare part-nr. 47743000)
- 8: Thermostatic compact cartridge 1/2" (Spare part-nr. 47439000)
- 9: Race (Spare part-nr. 47975000)
- 10: Non-return valve (Spare part-nr. 47189000)
- 10.1: Filter (Spare part-nr. 0726400M)
- 10.2: Non-return valve (Spare part-nr. 08565000)
- 10.3: O-Ring Ø17 x Ø2 (Spare part-nr. 0305500M)
- 11: S-union (Spare part-nr. 12662000)
- 12: Glide element (Spare part-nr. 12140000)
- 13: Dirt strainer (Spare part-nr. 0700200M)
- 14: Fibre seal dia. Ø 18,5 x Ø 12 x 2 (Spare part-nr. 0138900M)
- 15: Dirt strainer (Spare part-nr. 48007000)
- 16: Shower rail holder (Spare part-nr. 48279000)
- 17: Shower system pipe for retrofitting (Spare part-nr. 48514000)*
- 18: Shower system pipe for retrofitting (Spare part-nr. 48515000)*
- 19: Special spanner (Spare part-nr. 19377000)*
- 20: Socket spanner (Spare part-nr. 19332000)*
- 21: GROHE TurboStat cartridge 1/2" (Spare part-nr. 47175000)*
- 22: Compensation disc (Spare part-nr. 27180000)*
- 23: Shower arm for shower systems (Spare part-nr. 14047000)*
- 24: GROHE EasyReach tray (Spare part-nr. 26362LN1)*

* Optional accessories