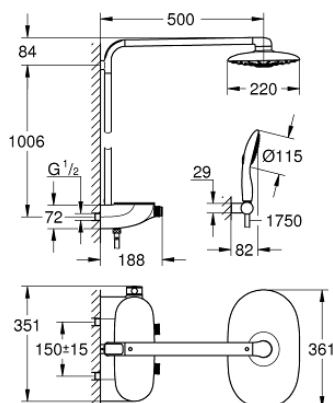


26 250 000 RAINSHOWER SYSTEM SMARTCONTROL DUO 360 SHOWER SYSTEM WITH THERMOSTAT FOR WALL MOUNTING

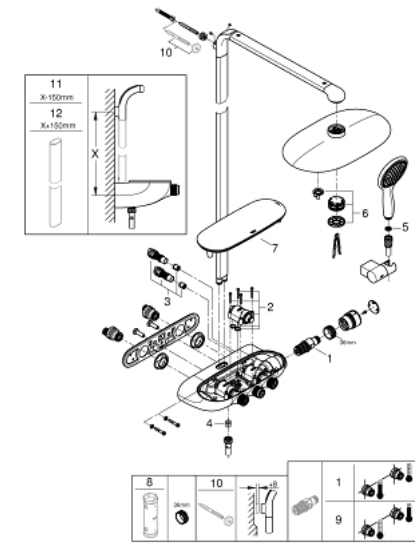


PRODUCT DESCRIPTION

- Tyc: Chrome
- consisting of:
 - horizontal 500 mm shower arm
 - exposed SmartControl thermostat
 - allows change between:
 - head shower Rainshower Duo 360, spray plate chrome
 - spray patterns: GROHE PureRain/GROHE Rain O² spray* and TrioMassage
 - hand shower Power&Soul 115, spray plate white (27 671)
 - hand shower wall holder (27 055)
 - shower hose Silverflex 1750 mm 1/2" x 1/2" (28 388)
- minimum flow rate 10 l/min
- GROHE DreamSpray - perfect spray pattern
- GROHE LongLife finish
- GROHE CoolTouch - no risk of scalding
- GROHE TurboStat - compact cartridge with wax thermoelement
- GROHE EcoJoy - Less water, perfect flow
- GROHE SafeStop safety button at 38°C (calibration required)
- GROHE SafeStop Plus - optional temperature limiter at 43°C included
- GROHE SmartControl - control the shower with intuitive push/turn button
- GROHE EasyReach shower tray
- GROHE SpeedClean - effortless limescale removal
- Inner WaterGuide - inner insulation for surface protection
- suitable for instantaneous heaters from 18 kW/h
- TwistStop - to prevent hose from twisting
- * to be decided at first installation; factory default setting: GROHE PureRain



26 250 000 RAINSHOWER SYSTEM SMARTCONTROL DUO 360 SHOWER SYSTEM WITH THERMOSTAT FOR WALL MOUNTING



SPARE PARTS

- 1: Thermostatic compact cartridge 1/2" (Spare part-nr. 47439000)
 - 2: Cartridge (Spare part-nr. 48297000)
 - 3: Non-return valve (Spare part-nr. 4901000M)
 - 4: Non-return valve (Spare part-nr. 08565000)
 - 5: Dirt strainer (Spare part-nr. 0700200M)
 - 6: Spray face (Spare part-nr. 48348000)
 - 7: Cover (Spare part-nr. 48482000)
 - 8: Socket spanner (Spare part-nr. 49059000)*
 - 9: GROHE TurboStat cartridge 1/2" (Spare part-nr. 47175000)*
 - 10: Compensation disc (Spare part-nr. 26385000)*
 - 11: Shower system pipe for retrofitting (Spare part-nr. 48349000)*
 - 12: Shower system pipe for retrofitting (Spare part-nr. 48350000)*
- * Optional accessories