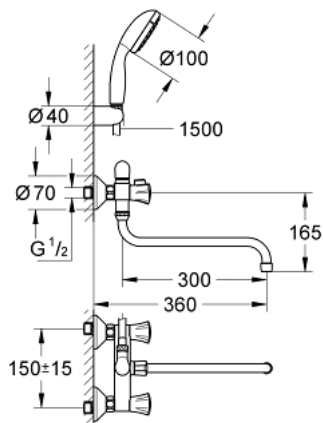


## 26 790 10A COSTA L SOLID BASIN MIXER 1/2"

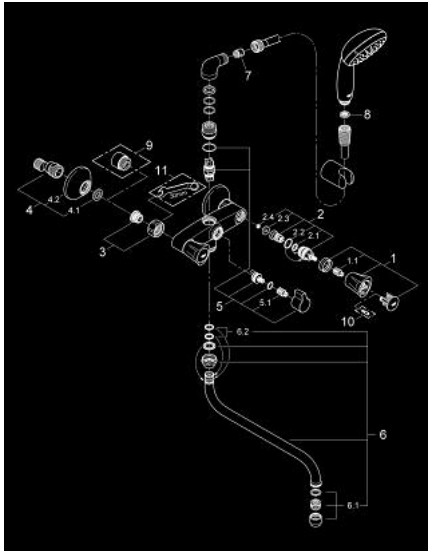


### PRODUCT DESCRIPTION

- Tyc: Chrome
- wall mounted
- metal handles
- heat insulated
- screwable
- GROHE Long-Life headpart
- diverter bath/shower
- S-unions
- connection angle 3/4" x 3/4" (12 419)
- spout 300 mm (13 017)
- hand shower Tempesta 100, 1 spray, 9.5 l/min (27 923)
- Relaxaflex hose 1500 mm 1/2" x 1/2" (28 151)
- wall shower holder (28 605)
- GROHE LongLife finish



## 26 790 10A COSTA L SOLID BASIN MIXER 1/2"



### SPARE PARTS

- 1: Handle (Spare part-nr. 45994000)
- 1.1: Snap insert (Spare part-nr. 0538600M)
- 2: Headpart 1/2" (Spare part-nr. 07146000)
- 2.1: Sealing washer  $\varnothing 6 \times \varnothing 2$  (Spare part-nr. 0128300M)
- 2.2: O-ring  $\varnothing 18.2 \times \varnothing 1.7$  (Spare part-nr. 0392400M)
- 2.3: Seal (Spare part-nr. 0529100M)
- 3: Screw connection 1/2" (Spare part-nr. 45044000)
- 4: S-union (Spare part-nr. 12075000)
- 5: Replacement kit for rotary valve (Spare part-nr. 48006000)
- 5.1: Snap insert (Spare part-nr. 0538600M)
- 6: S spout (Spare part-nr. 13017000)
- 6.1: Mousseur (Spare part-nr. 13928000)
- 6.2: Sealing washer (Spare part-nr. 0128500M)
- 7: Non-return valve (Spare part-nr. 08565000)
- 8: Dirt strainer (Spare part-nr. 0700200M)
- 9: Extension 3/4", 20 mm (Spare part-nr. 0713000M)\*
- 10: Screw for Costa/Avina products (Spare part-nr. 48013000)\*
- 11: Special spanner (Spare part-nr. 19377000)\*

\* Optional accessories