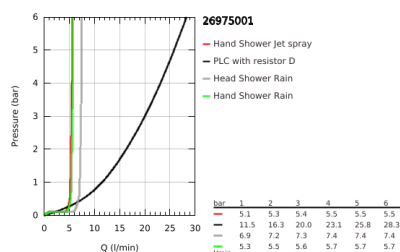
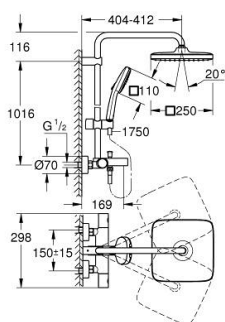


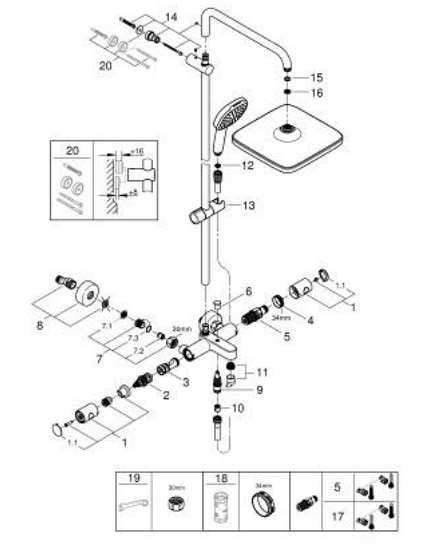
## 26 975 001 TEMPESTA SYSTEM 250 CUBE SHOWER SYSTEM WITH BATH THERMOSTAT FOR WALL MOUNTING



### PRODUCT DESCRIPTION

- Colour: chrome
- consisting of:
  - horizontal swivable 390 mm shower arm
  - exposed thermostat with Aquadimmer function
  - allows change between:
    - head shower Tempesta 250 Cube (26 685)
    - spray pattern: Rain
    - maximum flow rate (at 3 bar): 7.3 l/min
    - head shower with white rear cover
    - with ball joint, rotation angle  $\pm 10^\circ$
  - bath inlet
  - separate diverter for hand shower
  - hand shower Tempesta Cube 110 (27 571)
  - 2 spray patterns: Rain, Jet
  - maximum flow rate (at 3 bar): 5.6 l/min
  - adjustable in height with gliding element
  - Rotaflex TwistStop shower hose 1750 mm 1/2" x 1/2" (28 410)
  - maximum flow rate system (at 3 bar): 7.3 l/min (without bath inlet)
  - GROHE EcoJoy - less water, perfect flow
  - GROHE TurboStat - compact cartridge with wax thermoelement
  - GROHE SafeStop - safety button at 38°C
  - GROHE SafeStop Plus - optional temperature limiter at 43°C included
  - GROHE SmartSwitch - easily rotate the dial to enjoy your preferred spray option
  - GROHE DreamSpray - perfect spray pattern
  - ShockProof silicone ring prevents damage caused by a shower falling
  - GROHE LongLife finish
  - GROHE SpeedClean - effortless limescale removal
  - Inner WaterGuide - inner insulation for surface protection
  - TwistStop - to prevent hose from twisting
  - suitable for instantaneous heaters from 18 kW/h
  - minimum flow rate 5 l/min
  - professional exclusive

## 26 975 001 TEMPESTA SYSTEM 250 CUBE SHOWER SYSTEM WITH BATH THERMOSTAT FOR WALL MOUNTING



### SPARE PARTS

- 1: Metal handle 1/2" (Spare part-nr. 47984000)
- 1.1: Cover cap (Spare part-nr. 6458500M)
- 2: Aquadimmer (Spare part-nr. 47364000)
- 3: Water flow (Spare part-nr. 47887000)
- 4: retaining ring (Spare part-nr. 47743000)
- 5: Thermostatic compact cartridge 1/2" (Spare part-nr. 47439000)
- 6: Diverter knob (Spare part-nr. 65648000)
- 7: Non-return valve (Spare part-nr. 47189000)
- 7.1: Filter (Spare part-nr. 0726400M)
- 7.2: Non-return valve (Spare part-nr. 08565000)
- 7.3: O-Ring Ø17 x Ø2 (Spare part-nr. 0305500M)
- 8: S-union (Spare part-nr. 12662000)
- 9: Diverter (Spare part-nr. 65655000)
- 10: Non-return valve (Spare part-nr. 08565000)
- 11: Mousseur (Spare part-nr. 13926000)
- 12: Dirt strainer (Spare part-nr. 0700200M)
- 13: Glide element (Spare part-nr. 48609000)
- 14: Shower rail holder (Spare part-nr. 48423000)
- 15: Fibre seal dia. Ø 18,5 x Ø 12 x 2 (Spare part-nr. 0138900M)
- 16: Dirt strainer (Spare part-nr. 48007000)
- 17: GROHE TurboStat cartridge 1/2" (Spare part-nr. 47175000)\*
- 18: Socket spanner (Spare part-nr. 19332000)\*
- 19: Special spanner (Spare part-nr. 19377000)\*
- 20: Compensation disc (Spare part-nr. 26496000)\*

\* Optional accessories