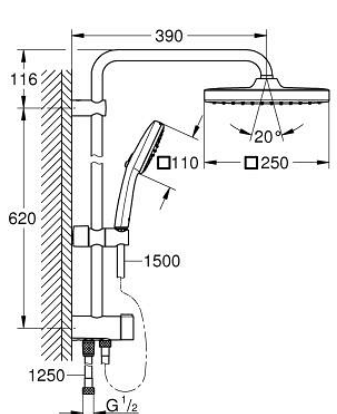


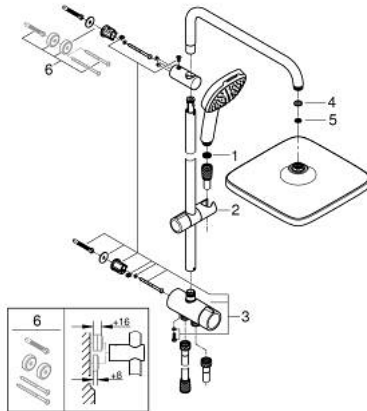
## 26 976 001 TEMPESTA SYSTEM 250 CUBE FLEX SHOWER SYSTEM WITH DIVERTER FOR WALL MOUNTING



### PRODUCT DESCRIPTION

- Tyc: Chrome
- consisting of:
  - horizontal 390 mm shower arm, adjustable before installation
  - change by diverter between hand shower, head shower or head shower Eco setting
  - head shower Tempesta 250 Cube (26 685)
  - 2 spray patterns (via diverter): Rain, SmartRain
  - maximum flow rate (at 3 bar): 7.5 l/min
  - head shower with white rear cover
  - with ball joint, rotation angle  $\pm 10^\circ$
  - hand shower Tempesta Cube 110 (26 902)
  - 2 spray patterns: Rain, Jet
  - maximum flow rate (at 3 bar): 6.9 l/min
  - adjustable in height with gliding element
  - distance between diverter and upper bracket: 920 mm
  - Relaxaflex shower hose 1500 mm (28 151)
  - Relaxaflex shower hose 1250 mm (28 150)
  - flexible installation: connection to faucet / wall union for water supply with 1/2" thread of the 500 mm shower hose
  - GROHE EcoJoy - Less water, perfect flow
  - GROHE SmartSwitch - easily rotate the dial to enjoy your preferred spray option
  - GROHE DreamSpray - perfect spray pattern
  - GROHE LongLife finish
  - ShockProof silicone ring prevents damage caused by a shower falling
  - GROHE SpeedClean - effortless limescale removal
  - Inner WaterGuide - inner insulation for surface protection
  - suitable for instantaneous heaters from 18 kW/h
  - maximum flow rate (at 3 bar): 7.5 l/min
  - minimum flow rate 5 l/min
  - min. recommended pressure 1.0 bar
  - professional exclusive

## 26 976 001 TEMPESTA SYSTEM 250 CUBE FLEX SHOWER SYSTEM WITH DIVERTER FOR WALL MOUNTING



### SPARE PARTS

- 1: Dirt strainer (Spare part-nr. 0700200M)
- 2: Glide element (Spare part-nr. 48609000)
- 3: Diverter (Spare part-nr. 48338000)
- 4: Fibre seal Ø 18,5 x Ø 12 x 2 (Spare part-nr. 0138900M)
- 5: Dirt strainer (Spare part-nr. 48007000)
- 6: Compensation disc (Spare part-nr. 26496000)\*

\* Optional accessories