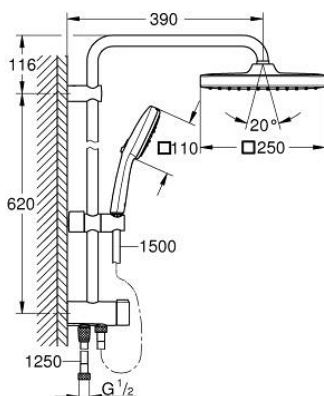


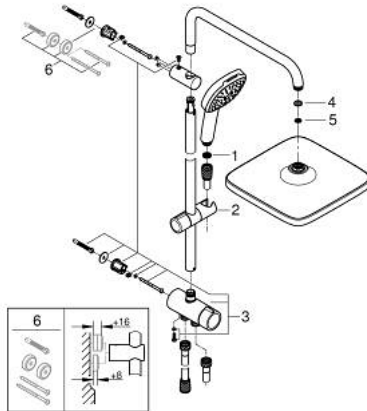
26 977 001 TEMPESTA SYSTEM 250 CUBE FLEX SHOWER SYSTEM WITH DIVERTER FOR WALL MOUNTING



PRODUCT DESCRIPTION

- Tyc: Chrome
- consisting of:
 - horizontal 390 mm shower arm, adjustable before installation
 - change by diverter between hand shower, head shower or head shower Eco setting
 - head shower Tempesta 250 Cube (26 685)
 - 2 spray patterns (via diverter): Rain, SmartRain
 - maximum flow rate (at 3 bar): 7.9 l/min
 - head shower with white rear cover
 - with ball joint, rotation angle $\pm 10^\circ$
 - hand shower Tempesta Cube 110 (27 574)
 - spray patterns: Rain, Jet, Massage
 - maximum flow rate (at 3 bar): 7.4 l/min
 - adjustable in height with gliding element
 - distance between diverter and upper bracket: 620 mm
 - Relexaflex shower hose 1500 mm (28 151)
 - Relexaflex shower hose 1250 mm (28 150)
 - flexible installation: connection to faucet / wall union for water supply with 1/2" thread of the 1250 mm shower hose
 - maximum flow rate system (at 3 bar): 7.9 l/min
 - GROHE EcoJoy - Less water, perfect flow
 - GROHE SmartSwitch - easily rotate the dial to enjoy your preferred spray option
 - GROHE DreamSpray - perfect spray pattern
 - ShockProof silicone ring prevents damage caused by a shower falling
 - GROHE LongLife finish
 - GROHE SpeedClean - effortless limescale removal
 - Inner WaterGuide - inner insulation for surface protection
 - suitable for instantaneous heaters from 18 kW/h
 - minimum flow rate 5 l/min
 - min. recommended pressure 1.0 bar
 - professional exclusive

26 977 001 TEMPESTA SYSTEM 250 CUBE FLEX SHOWER SYSTEM WITH DIVERTER FOR WALL MOUNTING



SPARE PARTS

- 1: Dirt strainer (Spare part-nr. 0700200M)
 - 2: Glide element (Spare part-nr. 48609000)
 - 3: Diverter (Spare part-nr. 48338000)
 - 4: Fibre seal Ø 18,5 x Ø 12 x 2 (Spare part-nr. 0138900M)
 - 5: Dirt strainer (Spare part-nr. 48007000)
 - 6: Compensation disc (Spare part-nr. 26496000)*
- * Optional accessories