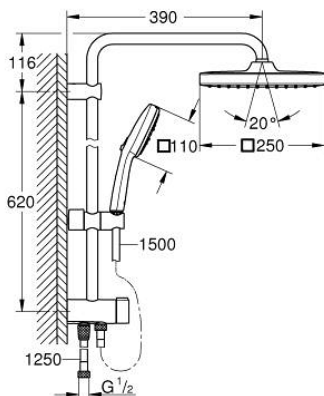


## 26 977 243 1 TEMPESTA SYSTEM 250 CUBE FLEX SHOWER SYSTEM WITH DIVERTER FOR WALL MOUNTING



### PRODUCT DESCRIPTION

- Tyc: matte black
- consisting of:
  - horizontal 390 mm shower arm, adjustable before installation
  - change by diverter between hand shower, head shower or head shower
- Eco setting
- head shower Tempesta 250 Cube
- 2 spray patterns (via diverter): Rain, SmartRain
- maximum flow rate (at 3 bar): 7.9 l/min
- head shower with black rear cover
- with ball joint, rotation angle  $\pm 10^\circ$
- hand shower Tempesta Cube 110
- spray patterns: Rain, Jet, Massage
- maximum flow rate (at 3 bar): 7.4 l/min
- adjustable in height with gliding element
- distance between diverter and upper bracket: 620 mm
- shower hose Relexaflex 1500 mm 1/2" x 1/2"
- shower hose Relexaflex 1250 mm 1/2" x 1/2"
- flexible installation: connection to faucet / wall union for water supply with 1/2" thread of the 1250 mm shower hose
- maximum flow rate system (at 3 bar): 7.9 l/min
- GROHE EcoJoy - Less water, perfect flow
- GROHE SmartSwitch - easily rotate the dial to enjoy your preferred spray option
- GROHE DreamSpray - perfect spray pattern
- ShockProof silicone ring prevents damage caused by a shower falling
- GROHE SpeedClean - effortless limescale removal
- Inner WaterGuide - inner insulation for surface protection
- suitable for instantaneous heaters from 18 kW/h
- minimum flow rate 5 l/min
- min. recommended pressure 1.0 bar
- professional exclusive