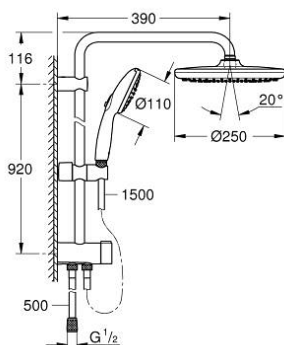
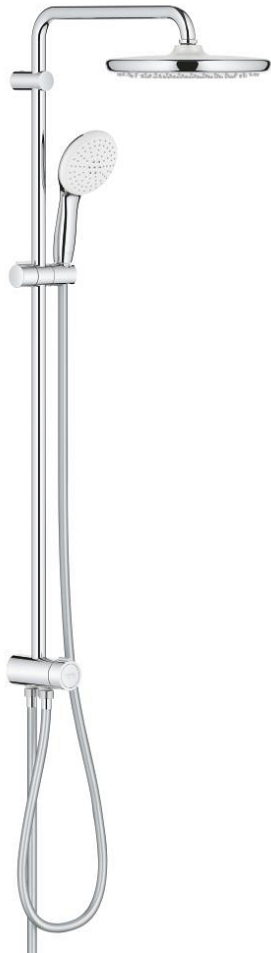


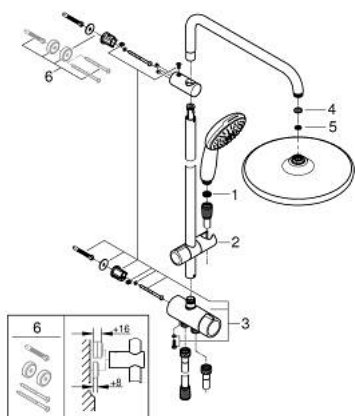
26 979 001 TEMPESTA SYSTEM 250 FLEX SHOWER SYSTEM WITH DIVERTER FOR WALL MOUNTING



PRODUCT DESCRIPTION

- Tyc: Chrome
- consisting of:
 - horizontal 390 mm shower arm, adjustable before installation
 - change by diverter between hand shower, head shower or head shower
- Eco setting
- head shower Tempesta 250 (26 666)
- 2 spray patterns (via diverter): Rain, SmartRain
- maximum flow rate (at 3 bar): 7.5 l/min
- head shower with white rear cover
- with ball joint, rotation angle $\pm 10^\circ$
- hand shower Tempesta 110 (26 912)
- 2 spray patterns: Rain, Jet
- maximum flow rate (at 3 bar): 6.9 l/min
- adjustable in height with gliding element
- distance between diverter and upper bracket: 920 mm
- Relaxaflex shower hose 1500 mm (28 151)
- Relaxaflex shower hose 500 mm (22 115)
- flexible installation: connection to faucet / wall union for water supply with 1/2" thread of the 500 mm shower hose
- GROHE EcoJoy - Less water, perfect flow
- GROHE SmartSwitch - easily rotate the dial to enjoy your preferred spray option
- GROHE DreamSpray - perfect spray pattern
- ShockProof silicone ring prevents damage caused by a shower falling
- GROHE LongLife finish
- GROHE SpeedClean - effortless limescale removal
- Inner WaterGuide - inner insulation for surface protection
- suitable for instantaneous heaters from 18 kW/h
- maximum flow rate (at 3 bar): 7.5 l/min
- minimum flow rate 5 l/min
- min. recommended pressure 1.0 bar
- professional exclusive

26 979 001 TEMPESTA SYSTEM 250 FLEX SHOWER SYSTEM WITH DIVERTER FOR WALL MOUNTING



SPARE PARTS

1: Dirt strainer (Spare part-nr. 0700200M)

2: Glide element (Spare part-nr. 48609000)

3: Diverter (Spare part-nr. 48338000)

4: Fibre seal Ø 18,5 x Ø 12 x 2 (Spare part-nr. 0138900M)

5: Dirt strainer (Spare part-nr. 48007000)

6: Compensation disc (Spare part-nr. 26496000)*

* Optional accessories