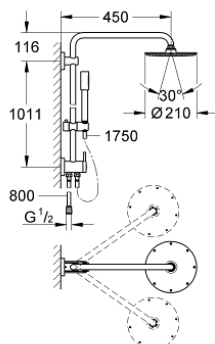


## 27 058 000 RAINSHOWER SYSTEM 210 SHOWER SYSTEM WITH DIVERTER FOR WALL MOUNTING

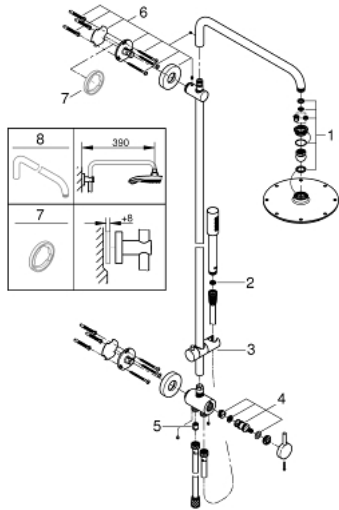


### PRODUCT DESCRIPTION

- Tyc: Chrome
- consisting of:
  - horizontal swivable 450 mm shower arm
  - change between hand and head shower by diverter
  - Rainshower Cosmopolitan 210 metal head shower
  - maximum flow rate (at 3 bar): 16.5 l/min
  - with ball joint
  - rotation angle  $\pm 15^\circ$
  - metal stick hand shower
  - maximum flow rate (at 3 bar): 12 l/min
  - adjustable in height with gliding element
  - metal shower hose 1750 mm
  - connection to water supply with  $1/2''$  thread of the 800 mm shower hose to faucet / wall union
  - maximum flow rate system (at 3 bar): 16.5 l/min
  - GROHE DreamSpray - perfect spray pattern
  - GROHE LongLife finish
  - GROHE SpeedClean - effortless limescale removal
  - Inner WaterGuide - inner insulation for surface protection
  - suitable for instantaneous heaters from 18 kW/h
  - minimum flow rate 5 l/min
  - min. recommended pressure 1.0 bar
  - recommended pressure 1.0 - 5.0 bar



## 27 058 000 RAINSHOWER SYSTEM 210 SHOWER SYSTEM WITH DIVERTER FOR WALL MOUNTING



### SPARE PARTS

- 1: Spare part set (Spare part-nr. 45933000)
  - 2: Dirt strainer (Spare part-nr. 0700200M)
  - 3: Glide element (Spare part-nr. 12140000)
  - 4: Replacement kit for rotary valve (Spare part-nr. 45915000)
  - 5: Non-return valve (Spare part-nr. 08565000)
  - 6: Shower rail holder (Spare part-nr. 48279000)
  - 7: Compensation disc (Spare part-nr. 27180000)\*
  - 8: Shower arm for shower systems (Spare part-nr. 14047000)\*
- \* Optional accessories