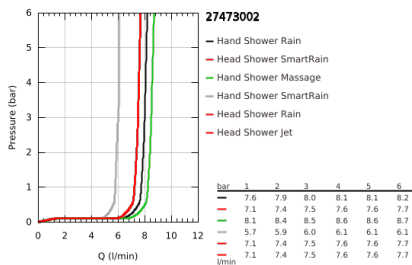
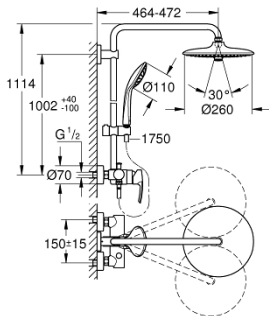


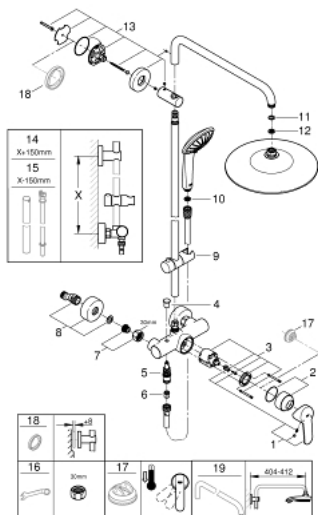
## 27 473 002 EUPHORIA SYSTEM 260 SHOWER SYSTEM WITH SINGLE LEVER MIXER FOR WALL MOUNTING



### PRODUCT DESCRIPTION

- Colour: chrome
- consisting of:
  - horizontal swivable 450 mm shower arm
  - exposed single-lever shower mixer with diverter
  - allows change between:
    - head shower Euphoria 260 (26 457)
    - spray patterns: Rain, SmartRain, Jet
  - maximum flow rate (at 3 bar): 7.5 l/min
  - with ball joint
  - rotation angle  $\pm 15^\circ$
  - hand shower Euphoria 110 Massage (27 239)
  - spray patterns: Rain, Massage, SmartRain
  - maximum flow rate (at 3 bar): 8.5 l/min
  - adjustable in height with gliding element
  - shower hose Silverflex 1750 mm 1/2" x 1/2" (28 388)
  - maximum flow rate system (at 3 bar): 8.5 l/min
  - GROHE EcoJoy - less water, perfect flow
  - GROHE SilkMove 46 mm ceramic cartridge
  - GROHE DreamSpray - perfect spray pattern
  - GROHE LongLife finish
  - GROHE EcoJoy - less water, perfect flow
  - GROHE SprayDimmer - stepless flow rate adjustment
  - Flexible Installation - 1 adjustable bracket for existing drill holes
  - Inner WaterGuide - inner insulation for surface protection
  - GROHE SpeedClean - effortless limescale removal
  - TwistStop - to prevent hose from twisting
  - suitable for instantaneous heaters from 18 kW/h
  - minimum flow rate 5 l/min
  - min. recommended pressure 1.0 bar
  - professional exclusive

## 27 473 002 EUPHORIA SYSTEM 260 SHOWER SYSTEM WITH SINGLE LEVER MIXER FOR WALL MOUNTING



### SPARE PARTS

- 1: Lever (Spare part-nr. 46726000)
  - 2: Cap (Spare part-nr. 46025000)
  - 3: Cartridge (Spare part-nr. 46048000)
  - 4: Diverter knob (Spare part-nr. 65648000)
  - 5: Diverter (Spare part-nr. 65655000)
  - 6: Non-return valve (Spare part-nr. 08565000)
  - 7: Screw connection 1/2" (Spare part-nr. 45044000)
  - 8: S-union (Spare part-nr. 12662000)
  - 9: Glide element (Spare part-nr. 12140000)
  - 10: Dirt strainer (Spare part-nr. 0700200M)
  - 11: Fibre seal dia.  $\varnothing$  18,5 x  $\varnothing$  12 x 2 (Spare part-nr. 0138900M)
  - 12: Dirt strainer (Spare part-nr. 48007000)
  - 13: Shower rail holder (Spare part-nr. 48279000)
  - 14: Shower system pipe for retrofitting (Spare part-nr. 48514000)\*
  - 15: Shower system pipe for retrofitting (Spare part-nr. 48515000)\*
  - 16: Special spanner (Spare part-nr. 19377000)\*
  - 17: Temperature limiter (Spare part-nr. 46375000)\*
  - 18: Compensation disc (Spare part-nr. 27180000)\*
  - 19: Shower arm for shower systems (Spare part-nr. 14047000)\*
- \* Optional accessories