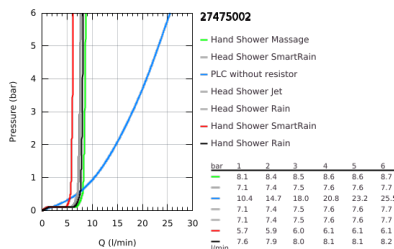
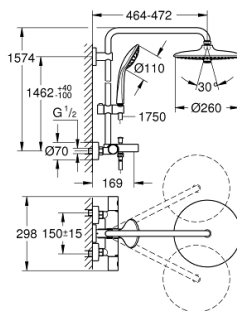
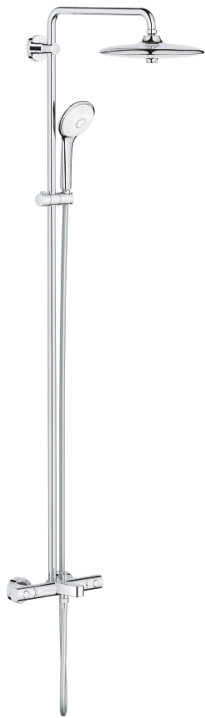


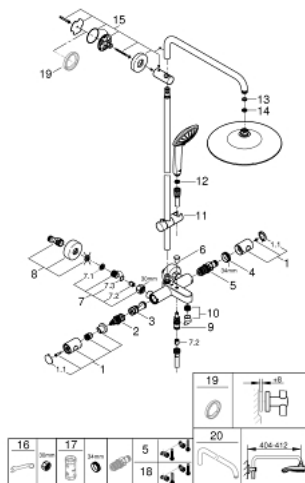
27 475 002 EUPHORIA SYSTEM 260 SHOWER SYSTEM WITH BATH THERMOSTAT FOR WALL MOUNTING



PRODUCT DESCRIPTION

- Colour: chrome
- consisting of:
 - horizontal swivable 450 mm shower arm
 - exposed thermostat with Aquadimmer function
 - allows change between:
 - head shower Euphoria 260 (26 457)
 - spray patterns: Rain, SmartRain, Jet
 - maximum flow rate (at 3 bar): 7.5 l/min
 - with ball joint
 - rotation angle $\pm 15^\circ$
- bath inlet
- separate diverter for hand shower
- hand shower Euphoria 110 Massage (27 239)
 - spray patterns: Rain, Massage, SmartRain
 - maximum flow rate (at 3 bar): 8.5 l/min
 - adjustable in height with gliding element
- shower hose Silverflex 1750 mm 1/2" x 1/2" (28 388)
 - AquaCalibrator limits maximum flow rate of system (at 3 bar): 8.5 l/min
 - GROHE TurboStat - compact cartridge with wax thermoelement
 - GROHE SafeStop - safety button at 38°C
 - GROHE SafeStop Plus - optional temperature limiter at 43°C included
 - GROHE DreamSpray - perfect spray pattern
 - GROHE LongLife finish
 - GROHE SprayDimmer - stepless flow rate adjustment
- Flexible Installation - 1 adjustable bracket for existing drill holes
- Inner WaterGuide - inner insulation for surface protection
- GROHE SpeedClean - effortless limescale removal
- TwistStop - to prevent hose from twisting
- suitable for instantaneous heaters from 18 kW/h
- minimum flow rate 5 l/min
- professional exclusive

27 475 002 EUPHORIA SYSTEM 260 SHOWER SYSTEM WITH BATH THERMOSTAT FOR WALL MOUNTING



SPARE PARTS

- 1: Metal handle 1/2" (Spare part-nr. 47984000)
 - 1.1: Cover cap (Spare part-nr. 6458500M)
 - 2: Aquadimmer (Spare part-nr. 47364000)
 - 3: Water flow (Spare part-nr. 47887000)
 - 4: retaining ring (Spare part-nr. 47743000)
 - 5: Thermostatic compact cartridge 1/2" (Spare part-nr. 47439000)
 - 6: Diverter knob (Spare part-nr. 65648000)
 - 7: Non-return valve (Spare part-nr. 47189000)
 - 7.1: Filter (Spare part-nr. 0726400M)
 - 7.2: Non-return valve (Spare part-nr. 08565000)
 - 7.3: O-Ring Ø17 x Ø2 (Spare part-nr. 0305500M)
 - 8: S-union (Spare part-nr. 12662000)
 - 9: Diverter (Spare part-nr. 65655000)
 - 10: Mousseur (Spare part-nr. 13926000)
 - 11: Glide element (Spare part-nr. 12140000)
 - 12: Dirt strainer (Spare part-nr. 0700200M)
 - 13: Fibre seal dia. Ø 18,5 x Ø 12 x 2 (Spare part-nr. 0138900M)
 - 14: Dirt strainer (Spare part-nr. 48007000)
 - 15: Shower rail holder (Spare part-nr. 48279000)
 - 16: Special spanner (Spare part-nr. 19377000)*
 - 17: Socket spanner (Spare part-nr. 19332000)*
 - 18: GROHE TurboStat cartridge 1/2" (Spare part-nr. 47175000)*
 - 19: Compensation disc (Spare part-nr. 27180000)*
 - 20: Shower arm for shower systems (Spare part-nr. 14047000)*
- * Optional accessories