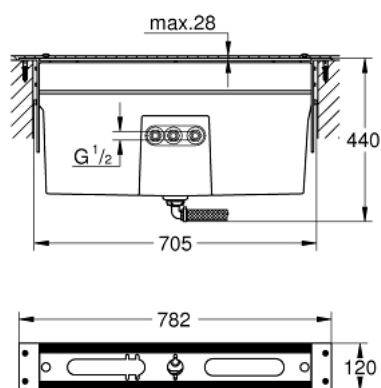


29 037 002 FOUR/FIVE-HOLE BATH COMBINATION (OPTIONAL)



PRODUCT DESCRIPTION

- baseframe for installation under tiled surround
- consisting of:
 - base frame
 - drainage box with integrated outlet for splash water
- allows for waterproofing of wall construction surrounding the concealed body
- with sealing sleeve
- caps to cover screw fixations always come in chrome color



29 037 002 **FOUR/FIVE-HOLE BATH COMBINATION (OPTIONAL)**

SPARE PARTS

1: Supporting legs (Spare part-nr. 45388000)*

* Optional accessories

