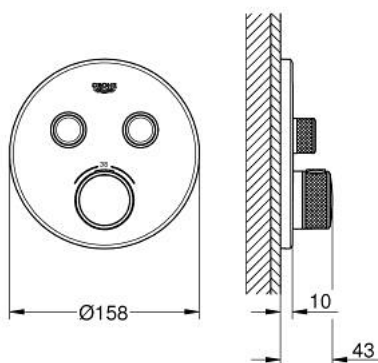


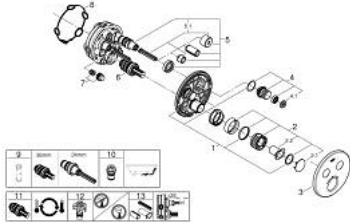
29 119 243 0 GROHTHERM SMARTCONTROL THERMOSTAT FOR CONCEALED INSTALLATION WITH 2 VALVES



PRODUCT DESCRIPTION

- Tyc: matte black
- trim set for GROHE Rapido SmartBox (35 600/35 604)
- metal wall escutcheon with FastFixation (covered escutcheon and shaft sealing, covered fixing), retroactively 6 ° adjustable
- GROHE SmartControl - control the shower with intuitive push/turn button
- exchangeable symbols
- GROHE TurboStat - compact cartridge with wax thermoelement
- GROHE ProGrip - with knurled structure
- GROHE SafeStop safety button at 38°C (calibration required)
- GROHE SafeStop Plus - optional temperature limiter at 43°C or 46°C included
- built-in non return valves and dirt strainers
- multiple outlets can be run simultaneously
- without roughing-in set 35 600/35 604 (please order separately)
- flow performance: outlet B = 24 l/min, outlet C = 26 l/min, outlet B+C = 29 l/min

29 119 243 0 GROHTHERM SMARTCONTROL THERMOSTAT FOR CONCEALED INSTALLATION WITH 2 VALVES



SPARE PARTS

- 1: Mounting plate (Spare part-nr. 48363000)
 - 2: Temperature control handle (Spare part-nr. 490292430)
 - 2.1: Cover cap (Spare part-nr. 1015032430)
 - 2.2: handle adaptor (Spare part-nr. 1015059990)
 - 3: Escutcheon (Spare part-nr. 490322430)
 - 4: Push button (Spare part-nr. 483612430)
 - 4.1: pushbutton (Spare part-nr. 140772430)
 - 5: Cartridge (Spare part-nr. 48359000)
 - 5.1: Spindle (Spare part-nr. 49088000)
 - 6: Thermostatic compact cartridge 3/4" (Spare part-nr. 49028000)
 - 7: Non-return valves (Spare part-nr. 47979000)
 - 8: Seal (Spare part-nr. 48360000)
 - 9: Socket spanner (Spare part-nr. 49059000)*
 - 10: Backflow protection combination (EN1717) (Spare part-nr. 14055000)*
 - 11: GROHE TurboStat cartridge 3/4" (Spare part-nr. 49003000)*
 - 12: Service stops (Spare part-nr. 1405300M)*
 - 13: Universal extension set single-lever mixers, 25 mm (Spare part-nr. 14048000)*
- * Optional accessories