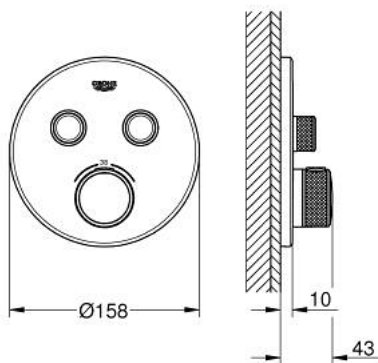


29 119 EN0 GROHTHERM SMARTCONTROL THERMOSTAT FOR CONCEALED INSTALLATION WITH 2 VALVES



PRODUCT DESCRIPTION

- Tyc: brushed nickel
- trim set for GROHE Rapido SmartBox (35 600/35 604)
- metal wall escutcheon with GROHE FastFixation (covered escutcheon and shaft sealing, covered fixing), retroactively 6° adjustable
- GROHE LongLife finish
- GROHE SmartControl - control the shower with intuitive push/turn button
- exchangeable symbols
- GROHE TurboStat - compact cartridge with wax thermoelement
- GROHE SafeStop safety button at 38°C (calibration required)
- GROHE SafeStop Plus - optional temperature limiter at 43°C or 46°C included
- built-in non return valves and dirt strainers
- multiple outlets can be run simultaneously
- without rough-in set (sold separately)
- flow performance: outlet B = 24 l/min, outlet C = 26 l/min, outlet B+C = 29 l/min

29 119 EN0 GROHTHERM SMARTCONTROL THERMOSTAT FOR CONCEALED INSTALLATION WITH 2 VALVES



SPARE PARTS

- 1: Mounting plate (Spare part-nr. 48363000)
- 2: Temperature control handle (Spare part-nr. 49029EN0)
- 3: Escutcheon (Spare part-nr. 49032EN0)
- 4: Push button (Spare part-nr. 48361BE0)
- 5: Cartridge (Spare part-nr. 48359000)
- 5.1: Spindle (Spare part-nr. 49088000)
- 6: Thermostatic compact cartridge 3/4" (Spare part-nr. 49028000)
- 7: Non-return valves (Spare part-nr. 47979000)
- 8: Seal (Spare part-nr. 48360000)
- 9: Socket spanner (Spare part-nr. 49059000)*
- 10: Backflow protection combination (EN1717) (Spare part-nr. 14055000)*
- 11: GROHE TurboStat cartridge 3/4" (Spare part-nr. 49003000)*
- 12: Service stops (Spare part-nr. 1405300M)*
- 13: Universal extension set single-lever mixers, 25 mm (Spare part-nr. 14048000)*

* Optional accessories