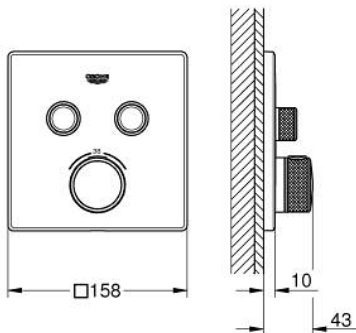
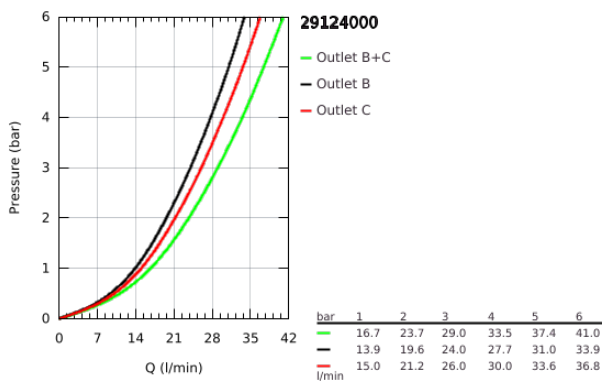


## 29 124 000 GROHTHERM SMARTCONTROL THERMOSTAT FOR CONCEALED INSTALLATION WITH 2 VALVES



### PRODUCT DESCRIPTION

- Colour: chrome
- trim set for GROHE Rapido SmartBox (35 600/35 604)
- metal wall escutcheon with GROHE FastFixation (covered escutcheon and shaft sealing, covered fixing), retroactively 6° adjustable
- GROHE LongLife finish
- GROHE SmartControl - control the shower with intuitive push/turn button
- exchangeable symbols
- GROHE TurboStat - compact cartridge with wax thermoelement
- GROHE ProGrip - with knurl structure
- GROHE SafeStop - safety button at 38°C
- GROHE SafeStop Plus - optional temperature limiter at 43°C or 46°C included
- built-in non return valves and dirt strainers
- multiple outlets can be run simultaneously
- without roughing-in set 35 600/35 604 (please order separately)
- flow performance: outlet B = 24 l/min, outlet C = 26 l/min, outlet B+C = 29 l/min



## 29 124 000 GROHTHERM SMARTCONTROL THERMOSTAT FOR CONCEALED INSTALLATION WITH 2 VALVES



### SPARE PARTS

- 1: Mounting plate (Spare part-nr. 48363000)
  - 2: Temperature control handle (Spare part-nr. 49029000)
    - 2.1: Cover cap (Spare part-nr. 1015030000)
    - 2.2: handle adaptor (Spare part-nr. 1015059990)
  - 3: Escutcheon (Spare part-nr. 49039000)
  - 4: WC push button (Spare part-nr. 48361000)
    - 4.1: pushbutton (Spare part-nr. 14077000)
  - 5: Cartridge (Spare part-nr. 48359000)
    - 5.1: Spindle (Spare part-nr. 49088000)
  - 6: Thermostatic compact cartridge 3/4" (Spare part-nr. 49028000)
  - 7: Non-return valves (Spare part-nr. 47979000)
  - 8: Seal (Spare part-nr. 48360000)
  - 9: Socket spanner (Spare part-nr. 49059000)\*
  - 10: Backflow protection combination (EN1717) (Spare part-nr. 14055000)\*
  - 11: GROHE TurboStat cartridge 3/4" (Spare part-nr. 49003000)\*
  - 12: Service stops (Spare part-nr. 1405300M)\*
  - 13: Universal extension set single-lever mixers, 25 mm (Spare part-nr. 14048000)\*
- \* Optional accessories