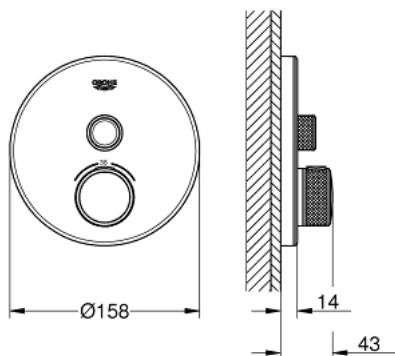


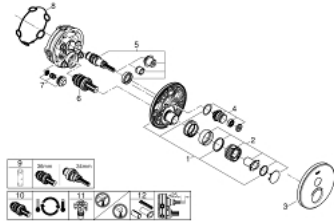
## 29 150 LS0 GROHTHERM SMARTCONTROL THERMOSTAT FOR CONCEALED INSTALLATION WITH ONE VALVE



### PRODUCT DESCRIPTION

- Tyc: moon white/chrome
- trim set for GROHE Rapido SmartBox (35 600/35 604)
- metal wall escutcheon with GROHE FastFixation (covered escutcheon and shaft sealing, covered fixing), retroactively 6° adjustable
- GROHE LongLife finish
- GROHE SmartControl - control the shower with intuitive push/turn button
- exchangeable symbols
- GROHE TurboStat - compact cartridge with wax thermostatic element
- GROHE ProGrip - with knurled structure
- GROHE SafeStop safety button at 38°C ( calibration required )
- GROHE SafeStop Plus - optional temperature limiter at 43°C or 46°C included
- built-in non return valves and dirt strainers
- cover plate in moon white acrylic glass
- without rough-in set (sold separately)
- flow performance: outlet A (to external shut-off) = 34 l/min, outlet B/C = 29 l/min

## 29 150 LS0 GROHTHERM SMARTCONTROL THERMOSTAT FOR CONCEALED INSTALLATION WITH ONE VALVE



### SPARE PARTS

- 1: Mounting plate (Spare part-nr. 48362000)
  - 2: Temperature control handle (Spare part-nr. 49029000)
  - 2.1: Cover cap (Spare part-nr. 1015030000)
  - 2.2: handle adaptor (Spare part-nr. 1015059990)
  - 3: Escutcheon (Spare part-nr. 49031LS0)
  - 4: Push button (Spare part-nr. 48361000)
  - 4.1: pushbutton (Spare part-nr. 14077000)
  - 5: Cartridge (Spare part-nr. 48359000)
  - 5.1: Spindle (Spare part-nr. 49088000)
  - 6: Thermostatic compact cartridge 3/4" (Spare part-nr. 49028000)
  - 7: Non-return valve (Spare part-nr. 49085000)
  - 8: Seal (Spare part-nr. 48360000)
  - 9: Socket spanner (Spare part-nr. 49059000)\*
  - 10: GROHE TurboStat cartridge 3/4" (Spare part-nr. 49003000)\*
  - 11: Service stops (Spare part-nr. 1405300M)\*
  - 12: Universal extension set single-lever mixers, 25 mm (Spare part-nr. 14048000)\*
- \* Optional accessories