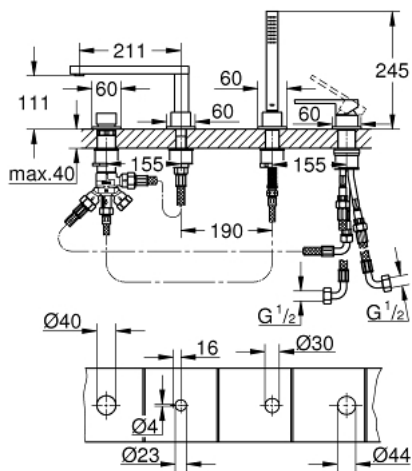


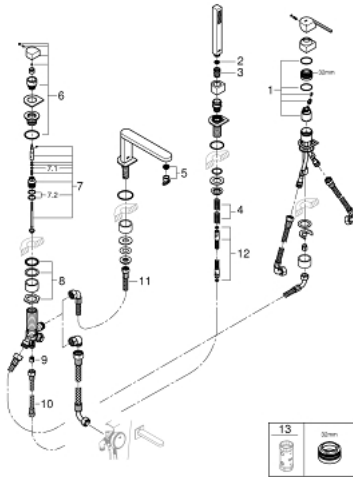
29 307 003 GROHE PLUS FOUR-HOLE SINGLE-LEVER BATH COMBINATION



PRODUCT DESCRIPTION

- Tyc: Chrome
- GROHE SilkMove 35 mm ceramic cartridge
- with temperature limiter
- GROHE LongLife finish
- consisting of:
 - pre-assembled spout laminar mousseur
 - single lever mixer operating element
 - metal lever
 - diverter bath/shower
 - hand shower Euphoria Cube 6.6 l/min
 - metal shower hose 2000 mm (always chrome for any colour of the set)
 - flexible connection hoses
 - connection for shower hose
 - protected against backflow
- for use with baseframe 29 037 002 (please order separately)
- min. recommended pressure 1.0 bar

29 307 003 GROHE PLUS FOUR-HOLE SINGLE-LEVER BATH COMBINATION



SPARE PARTS

- 1: Cartridge (Spare part-nr. 46374000)
 - 2: Dirt strainer (Spare part-nr. 0700200M)
 - 3: Cone nut (Spare part-nr. 08864000)
 - 4: Compression spring (Spare part-nr. 00869000)
 - 5: Mousseur (Spare part-nr. 48009000)
 - 6: Diverter knob (Spare part-nr. 48494000)
 - 7: Diverter (Spare part-nr. 45443000)
 - 7.1: Sealing washer $\varnothing 6 \times \varnothing 2$ (Spare part-nr. 0128300M)
 - 7.2: Sealing washer (Spare part-nr. 0120500M)
 - 8: Shank (Spare part-nr. 45456000)
 - 9: Non-return valve (Spare part-nr. 08565000)
 - 10: Connecting hose (Spare part-nr. 07300000)
 - 11: Connecting hose (Spare part-nr. 48018000)
 - 12: Metal shower hose (Spare part-nr. 28146000)
 - 13: Socket spanner (Spare part-nr. 19332000)*
- * Optional accessories