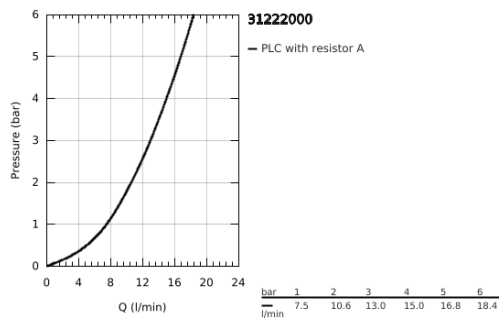
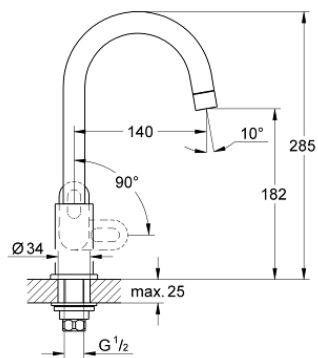


## 31 222 000 BAULOOP SINK TAP 1/2"

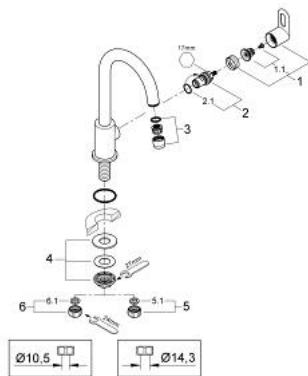


### PRODUCT DESCRIPTION

- Colour: chrome
- single hole installation
- metal lever
- ceramic headpart 1/2", 90°
- swivel tubular spout
- mousseur
- GROHE LongLife finish
- fixation nut
- maximum flow rate (at 3 bar): 13 l/min



## 31 222 000 BAULOOK SINK TAP 1/2"



### SPARE PARTS

- 1: Handle (Spare part-nr. 48121000)
- 1.1: Replacement handle connection kit (Spare part-nr. 45186000)
- 1.1.1: O-Ring Ø18,2 x Ø1,7 (Spare part-nr. 0392400M)
- 2: Ceramic headpart 1/2" (Spare part-nr. 45882000)
- 2.1: O-Ring Ø18,2 x Ø1,7 (Spare part-nr. 0392400M)
- 3: Mousseur (Spare part-nr. 13928000)
- 4: Shank mounting kit (Spare part-nr. 45004000)
- 5: Coupling nut 1/2" x 14.5 mm (Spare part-nr. 1290200M)
- 5.1: Fibre seal dia. Ø 18,5 x Ø 12 x 2 (Spare part-nr. 0138900M)
- 6: Coupling nut 1/2" (Spare part-nr. 1290100M)
- 6.1: Fibre seal dia. Ø 18,5 x Ø 12 x 2 (Spare part-nr. 0138900M)