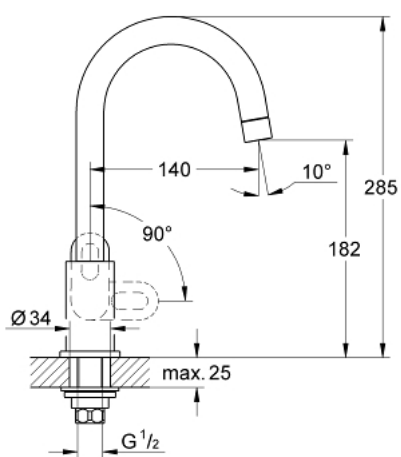


31 222 000 **BAULoop SINK TAP 1/2"**

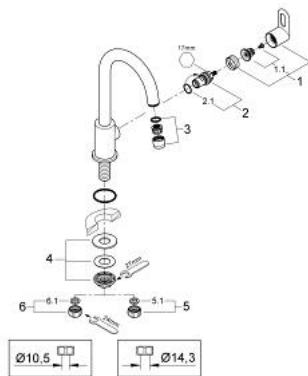


PRODUCT DESCRIPTION

- Tyc: Chrome
- single hole installation
- metal lever
- ceramic headpart 1/2", 90°
- swivel tubular spout
- mousseur
- GROHE LongLife finish
- fixation nut
- maximum flow rate (at 3 bar): 13 l/min



31 222 000 BAULOOK SINK TAP 1/2"



SPARE PARTS

- 1: Handle (Spare part-nr. 48121000)
- 1.1: Replacement handle connection kit (Spare part-nr. 45186000)
- 1.1.1: O-ring \varnothing 18.2 x \varnothing 1.7 (Spare part-nr. 0392400M)
- 2: Ceramic headpart 1/2" (Spare part-nr. 45882000)
- 2.1: O-ring \varnothing 18.2 x \varnothing 1.7 (Spare part-nr. 0392400M)
- 3: Mousseur (Spare part-nr. 13928000)
- 4: Shank mounting kit (Spare part-nr. 45004000)
- 5: Coupling nut 1/2" x 14.5 mm (Spare part-nr. 1290200M)
- 5.1: Fibre seal \varnothing 18,5 x \varnothing 12 x 2 (Spare part-nr. 0138900M)
- 6: Coupling nut 1/2" (Spare part-nr. 1290100M)
- 6.1: Fibre seal \varnothing 18,5 x \varnothing 12 x 2 (Spare part-nr. 0138900M)