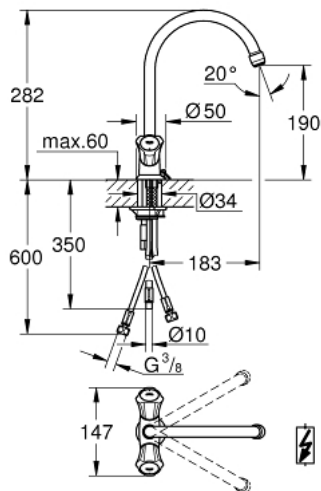


31 930 001 COSTA L SINGLE-HOLE SINK MIXER 1/2"

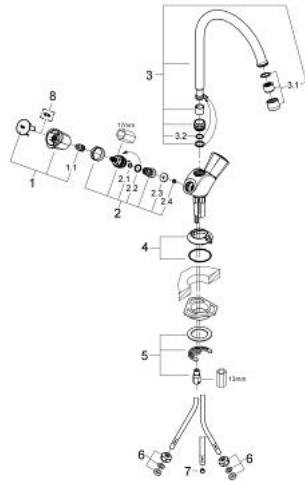


PRODUCT DESCRIPTION

- Tyc: Chrome
- for open water heater
- metal handles
- heat insulated
- GROHE LongLife finish
- GROHE Long-Life headparts
- flow straightener
- swivel tubular spout, swivel area 360°
- chain ring
- copper pipes
- maximum flow rate (at 3 bar): 8.4 l/min



31 930 001 COSTA L SINGLE-HOLE SINK MIXER 1/2"



SPARE PARTS

- 1: Handle (Spare part-nr. 45994000)
 - 1.1: Snap insert (Spare part-nr. 0538600M)
 - 2: Headpart 1/2" (Spare part-nr. 07146000)
 - 2.1: Sealing washer $\varnothing 6 \times \varnothing 2$ (Spare part-nr. 0128300M)
 - 2.2: O-ring $\varnothing 18.2 \times \varnothing 1.7$ (Spare part-nr. 0392400M)
 - 2.3: Seal (Spare part-nr. 0529100M)
 - 3: High U-outlet (Spare part-nr. 13227000)
 - 3.1: Flow straightener (Spare part-nr. 08599000)
 - 3.2: O-ring $\varnothing 12 \times \varnothing 2$ (Spare part-nr. 0128000M)
 - 4: Escutcheon (Spare part-nr. 48005000)
 - 5: Shank mounting kit (Spare part-nr. 46249000)
 - 6: Compression nut, $3/8 \times \varnothing 8.5$ (Spare part-nr. 1293800M)
 - 7: Flow limiter (Spare part-nr. 45303000)
 - 8: Screw for Costa/Avina products (Spare part-nr. 48013000)*
- * Optional accessories