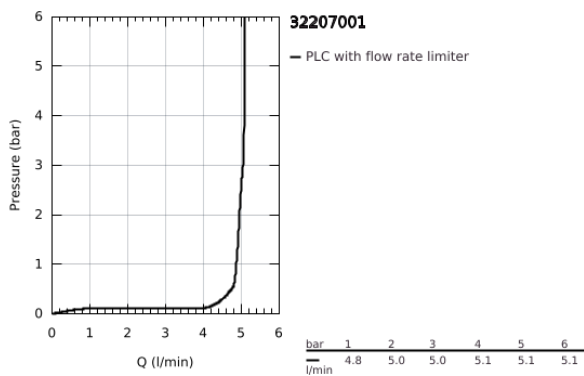
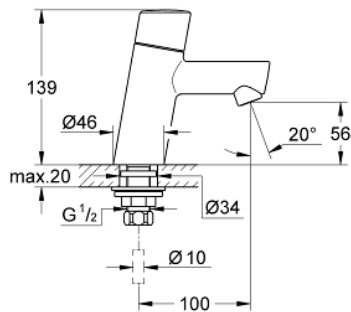


## 32 207 001 **CONCETTO PILLAR TAP XS-SIZE**

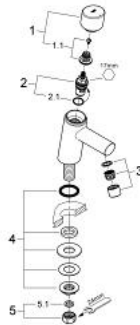


### PRODUCT DESCRIPTION

- Colour: chrome
- single hole installation
- metal lever
- ceramic headparts 1/2", 90°
- GROHE LongLife finish
- GROHE EcoJoy - less water, perfect flow
- maximum flow rate (at 3 bar): 5 l/min
- SpeedClean mousseur
- union nut 1/2" x 10.5 mm
- noise classification I in accordance with DIN 4109



## 32 207 001 **CONCETTO PILLAR TAP XS-SIZE**



### SPARE PARTS

- 1: Handle (Spare part-nr. 48071000)
- 1.1: Replacement handle connection kit (Spare part-nr. 45186000)
  - 1.1.1: O-Ring Ø18,2 x Ø1,7 (Spare part-nr. 0392400M)
- 2: Ceramic headpart 1/2" (Spare part-nr. 45882000)
  - 2.1: O-Ring Ø18,2 x Ø1,7 (Spare part-nr. 0392400M)
- 3: Mousseur (Spare part-nr. 13935000)
- 4: Shank fastening assembly (Spare part-nr. 45000000)
- 5: Coupling nut 1/2" (Spare part-nr. 1290100M)
  - 5.1: Fibre seal dia. Ø 18,5 x Ø 12 x 2 (Spare part-nr. 0138900M)