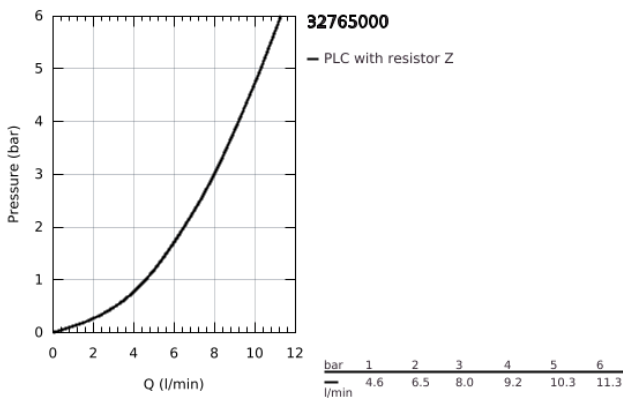
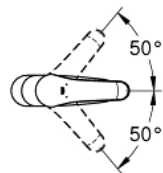
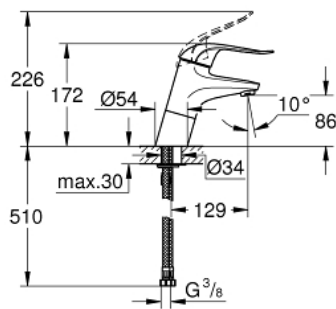


32 765 000 EUROSMART CARE SINGLE-LEVER BASIN MIXER 1/2"

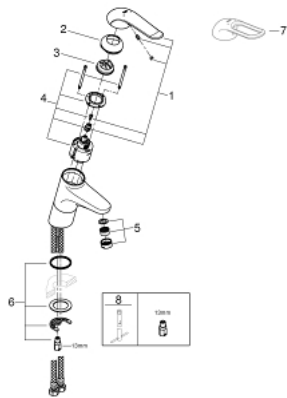


PRODUCT DESCRIPTION

- Colour: chrome
- single hole installation
- smooth body
- high version
- GROHE LongLife finish
- GROHE SilkMove 46 mm ceramic cartridge
- maximum flow rate (at 3 bar): 8 l/min
- adjustable flow rate limiter
- adjustable temperature limiter
- adjustable minimum flow rate 2.5 l/min
- laminar flow straightener
- metal lever
- lever length 120 mm
- rapid installation system
- flexible connection hoses



32 765 000 EUROSMART CARE SINGLE-LEVER BASIN MIXER 1/2"



SPARE PARTS

- 1: Lever 120 mm (Spare part-nr. 46688000)
 - 2: Cap (Spare part-nr. 46570000)
 - 3: Temperature limiter (Spare part-nr. 46375000)
 - 4: Cartridge (Spare part-nr. 46048000)
 - 5: Laminar flow straightener (Spare part-nr. 13960000)
 - 6: Shank mounting kit (Spare part-nr. 46249000)
 - 7: Lever 115 mm (Spare part-nr. 32870000)*
 - 8: Mounting wrench (Spare part-nr. 19017000)*
- * Optional accessories