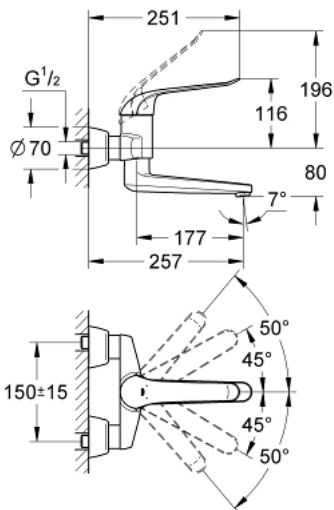
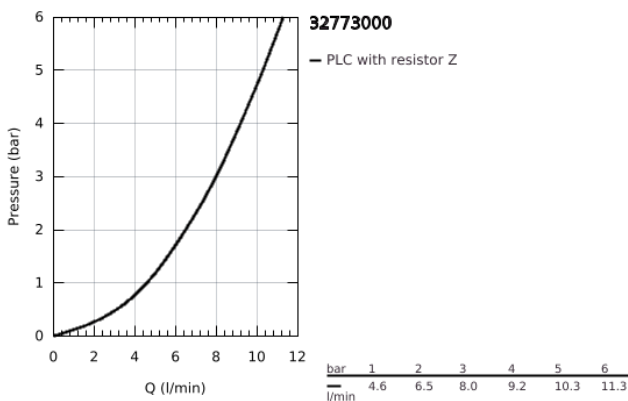


32 773 000 EUROSMART CARE SINGLE-LEVER BASIN MIXER 1/2"

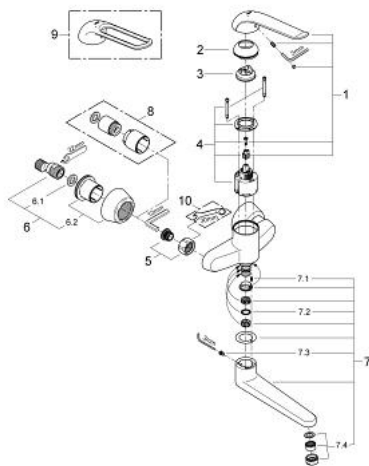


PRODUCT DESCRIPTION

- Colour: chrome
- wall mounted
- GROHE LongLife finish
- GROHE SilkMove 46 mm ceramic cartridge
- maximum flow rate (at 3 bar): 8 l/min
- adjustable flow rate limiter
- adjustable temperature limiter
- adjustable minimum flow rate 2.5 l/min
- laminar flow straightener
- cast swivel spout, lockable
- swivel area 90°
- projection 257 mm
- metal lever
- lever length 170 mm
- S-unions



32 773 000 EUROSMART CARE SINGLE-LEVER BASIN MIXER 1/2"



SPARE PARTS

- 1: Lever 170 mm (Spare part-nr. 46689000)
- 2: Cap (Spare part-nr. 46570000)
- 3: Temperature limiter (Spare part-nr. 46375000)
- 4: Cartridge (Spare part-nr. 46048000)
- 5: Screw connection 1/2" (Spare part-nr. 45044000)
- 6: S-union (Spare part-nr. 12058000)
- 6.1: Seal (Spare part-nr. 0138600M)
- 6.2: Covering escutcheon (Spare part-nr. 45545000)
- 7: Cast swivel spout (Spare part-nr. 13270000)
- 7.1: Stop screw (Spare part-nr. 4669000M)
- 7.2: Sealing washer (Spare part-nr. 0128500M)
- 7.3: set of screws (Spare part-nr. 46670000)
- 7.4: Laminar flow straightener (Spare part-nr. 13960000)
- 8: Extension 30 (Spare part-nr. 46238000)*
- 9: Lever 160 mm (Spare part-nr. 32871000)*
- 10: Special spanner (Spare part-nr. 19377000)*

* Optional accessories