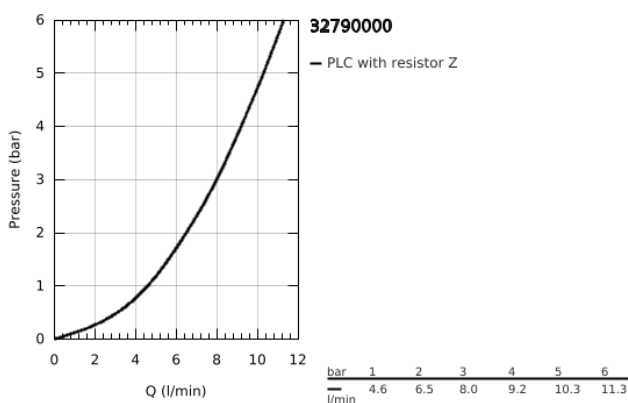
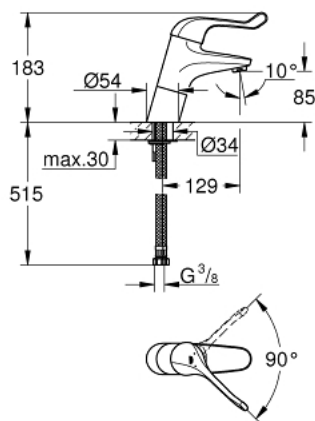


### 32 790 000 EUROSMART CARE SINGLE-LEVER SAFETY BASIN MIXER 1/2"

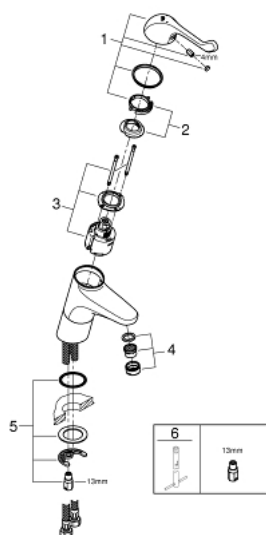


#### PRODUCT DESCRIPTION

- Colour: chrome
- single hole installation
- smooth body
- high version
- GROHE LongLife finish
- maximum flow rate (at 3 bar): 8 l/min
- ceramic cartridge
- adjustable flow rate limiter
- adjustable temperature limiter
- adjustable minimum flow rate 6 l/min.
- laminar flow straightener
- metal lever
- lever length 120 mm
- rapid installation system
- flexible connection hoses
- min. recommended pressure 1.0 bar



## 32 790 000 EUROSMART CARE SINGLE-LEVER SAFETY BASIN MIXER 1/2"



### SPARE PARTS

- 1: Lever 120 mm (Spare part-nr. 46686000)
  - 2: Temperature limiter (Spare part-nr. 46277000)
  - 3: Cartridge SMB (Spare part-nr. 46278000)
  - 4: Laminar flow straightener (Spare part-nr. 13960000)
  - 5: Shank mounting kit (Spare part-nr. 46249000)
  - 6: Mounting wrench (Spare part-nr. 19017000)\*
- \* Optional accessories