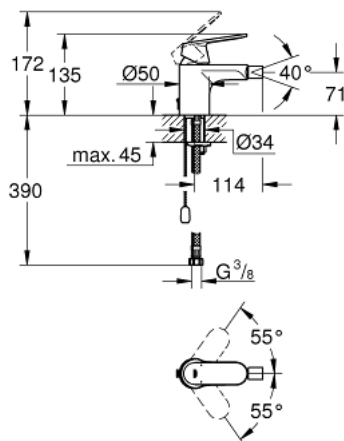


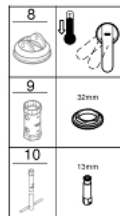
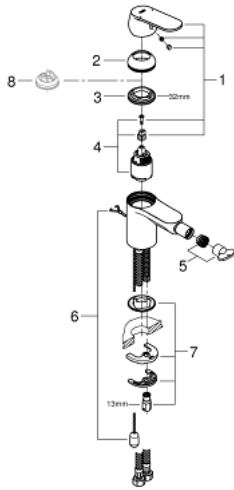
32 840 000 EUROSMART COSMOPOLITAN SINGLE-LEVER BIDET MIXER 1/2" S-SIZE



PRODUCT DESCRIPTION

- Tyc: Chrome
- single hole installation
- metal lever
- GROHE SilkMove 35 mm ceramic cartridge
- adjustable flow rate limiter
- adjustable minimum flow rate 2.5 l/min
- GROHE LongLife finish
- GROHE EcoJoy - Less water, perfect flow
- maximum flow rate (at 3 bar): 5 l/min
- GROHE FastFixation installation system with centering support
- ball-joint mousseur
- retractable chain
- flexible connection hoses
- optional temperature limiter ref. no. 46 375
- noise classification I in accordance with DIN 4109

32 840 000 EUROSMART COSMOPOLITAN SINGLE-LEVER BIDET MIXER 1/2" S-SIZE



SPARE PARTS

- 1: Lever (Spare part-nr. 46681000)
 - 2: Cap (Spare part-nr. 46492000)
 - 3: Screw coupling (Spare part-nr. 46460000)
 - 4: Cartridge (Spare part-nr. 46374000)
 - 5: Mousseur (Spare part-nr. 13998000)
 - 6: Chain (Spare part-nr. 06815000)
 - 7: Shank mounting kit (Spare part-nr. 46671000)
 - 8: Temperature limiter (Spare part-nr. 46375000)*
 - 9: Socket spanner (Spare part-nr. 19332000)*
 - 10: Mounting wrench (Spare part-nr. 19017000)*
- * Optional accessories