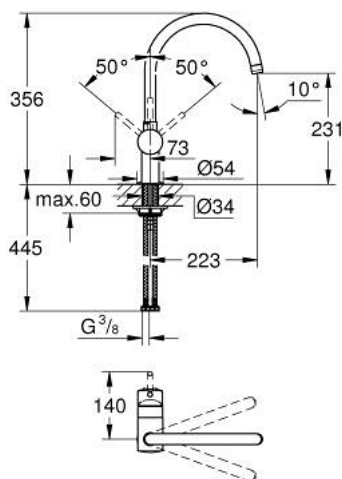


32 917 DC0 MINTA SINGLE-LEVER SINK MIXER 1/2"



PRODUCT DESCRIPTION

- Typ: supersteel
- C-spout
- single hole installation
- GROHE LongLife finish
- GROHE SilkMove 46 mm ceramic cartridge
- adjustable flow rate limiter
- swivel tubular spout
- selectable swivel area: 0° / 150° / 360°
- flexible connection hoses
- connector set 3/8"
- rapid installation system
- optional temperature limiter ref. no. 46 308
- maximum flow rate (at 3 bar): 11.5 l/min



32 917 DC0 MINTA SINGLE-LEVER SINK MIXER 1/2"



SPARE PARTS

- 1: Lever (Spare part-nr. 46015DC0)
 - 2: Cap (Spare part-nr. 46025DC0)
 - 3: Cartridge (Spare part-nr. 46048000)
 - 4: C-spout (Spare part-nr. 13043DC0)
 - 4.1: Sealing washer (Spare part-nr. 0128500M)
 - 4.2: Safety ring (Spare part-nr. 0485300M)
 - 4.3: Mousseur (Spare part-nr. 13928DC0)
 - 5: Shank mounting kit (Spare part-nr. 46249000)
 - 6: Mounting wrench (Spare part-nr. 19017000)*
- * Optional accessories