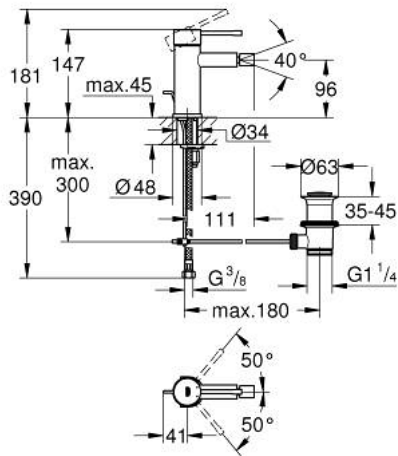


## 32 935 GL1 ESSENCE SINGLE-LEVER BIDET MIXER 1/2" S-SIZE



### PRODUCT DESCRIPTION

- Tyc: cool sunrise
- single hole installation
- metal lever
- GROHE SilkMove 28 mm ceramic cartridge
- with temperature limiter
- GROHE LongLife finish
- GROHE FastFixation Plus installation system
- ball-joint mousseur
- pop-up waste set 1 1/4"
- flexible connection hoses
- min. recommended pressure 1.0 bar



## 32 935 GL1 ESSENCE SINGLE-LEVER BIDET MIXER 1/2" S-SIZE



### SPARE PARTS

- 1: Lever (Spare part-nr. 46917GL0)
- 2: Fitting ring (Spare part-nr. 46715000)
- 3: Cartridge (Spare part-nr. 46580000)
- 4: lift rod (Spare part-nr. 46739GL0)
- 5: Mousseur (Spare part-nr. 13998000)
- 6: Escutcheon (Spare part-nr. 48603GL0)
- 7: Shank mounting kit (Spare part-nr. 46645000)
- 8: Waste set 1 1/4" (Spare part-nr. 28910GL0)
- 8.1: Plug (Spare part-nr. 07182GL0)
- 8.2: Eccentric rod (Spare part-nr. 07052000)
- 9: Mounting wrench (Spare part-nr. 19017000)\*
- 10: Eccentric rod (Spare part-nr. 07341000)\*

\* Optional accessories