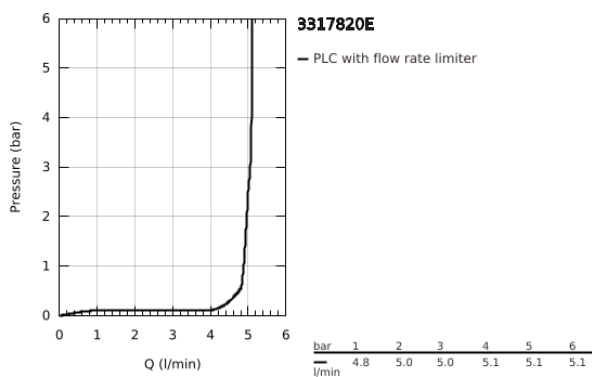
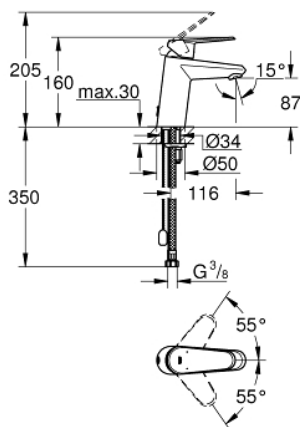


33 178 20E EURODISC COSMOPOLITAN BASIN MIXER 1/2" S-SIZE

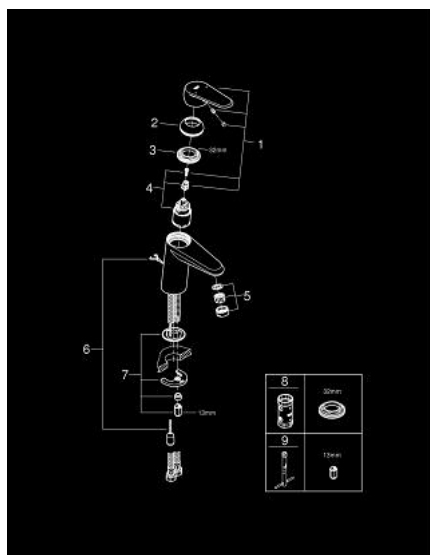


PRODUCT DESCRIPTION

- Colour: chrome
- single hole installation
- metal lever
- GROHE SilkMove 35 mm ceramic cartridge
- adjustable flow rate limiter
- adjustable minimum flow rate 2.5 l/min
- with temperature limiter
- GROHE LongLife finish
- GROHE EcoJoy - less water, perfect flow
- maximum flow rate (at 3 bar): 5 l/min
- GROHE FastFixation installation system with centering support
- mousseur
- retractable chain
- flexible connection hoses
- optional temperature limiter ref. no. 46 375
- noise classification I in accordance with DIN 4109



33 178 20E EURODISC COSMOPOLITAN BASIN MIXER 1/2" S-SIZE



SPARE PARTS

- 1: Lever (Spare part-nr. 46738000)
 - 2: Cap (Spare part-nr. 46492000)
 - 3: Screw coupling (Spare part-nr. 46460000)
 - 4: Cartridge (Spare part-nr. 46374000)
 - 5: Laminar flow straightener (Spare part-nr. 13955000)
 - 6: Chain support (Spare part-nr. 06815000)
 - 7: Shank mounting kit (Spare part-nr. 46645000)
 - 8: Socket spanner (Spare part-nr. 19332000)*
 - 9: Mounting wrench (Spare part-nr. 19017000)*
- * Optional accessories